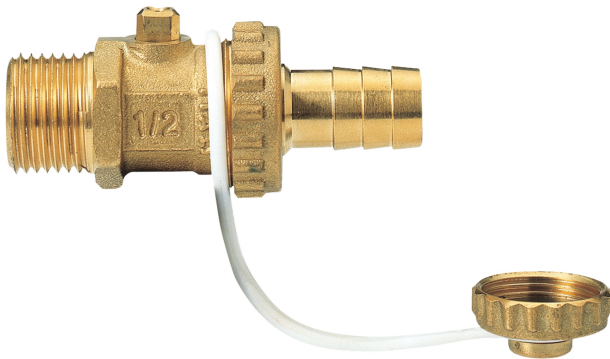
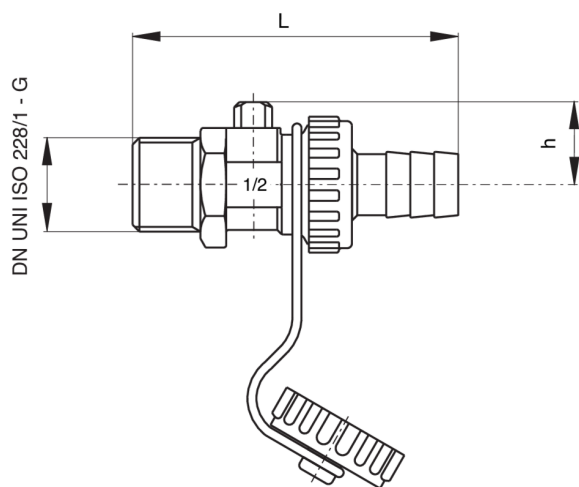


**9830**

Drain ball valve for boiler, without handle, with cap and chain.



## Technical specifications



SIZE	DN	BOX	MASTER BOX	CODE	L	H	KV	PN	KG
1/2"	15	20	80	9830040000	72	17,5	5,4	10	0,12

## Applications



DRINKING  
WATER



HEATING



HVAC



COMPRESSED  
AIR



INDUSTRIAL



MARINE

