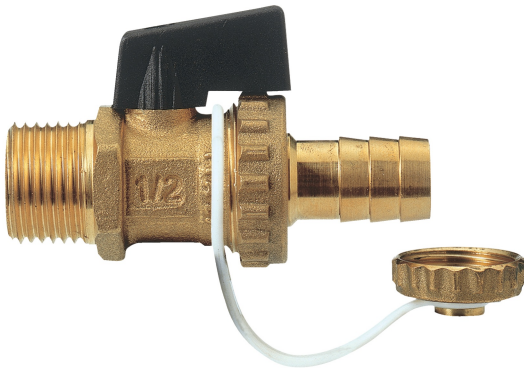
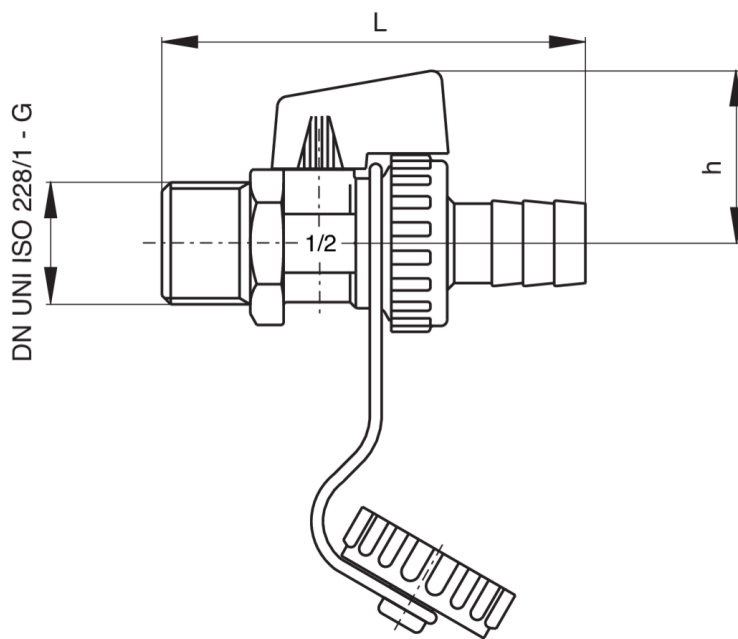


9820

Drain ball valve for boiler, with handle, cap and chain.



Technical specifications



SIZE	DN	BOX	MASTER BOX	CODE	L	H	KV	PN	KG
1/2"	15	20	80	9820040000	72	29,5	5,4	10	0,12

Applications



DRINKING
WATER



HEATING



HVAC



COMPRESSED
AIR



INDUSTRIAL



MARINE

