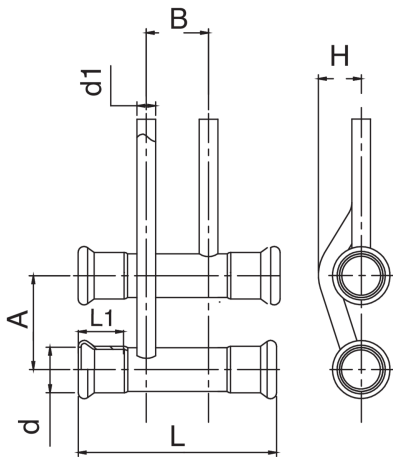


Single crossover.



Technical specifications



D X D1	BAG	MASTER BOX	CODE	A	B	L	L1	H
15 x 15	1	5	CM0350015015000	60	40	120	19	42
18 x 15	1	5	CM0350018015000	60	40	120	19	46
22 x 15	1	5	CM0350022015000	60	40	120	21	50
28 x 15	1	10	CM0350028015000	60	40	120	22	57

Applications



HEATING



HVAC



COMPRESSED
AIR