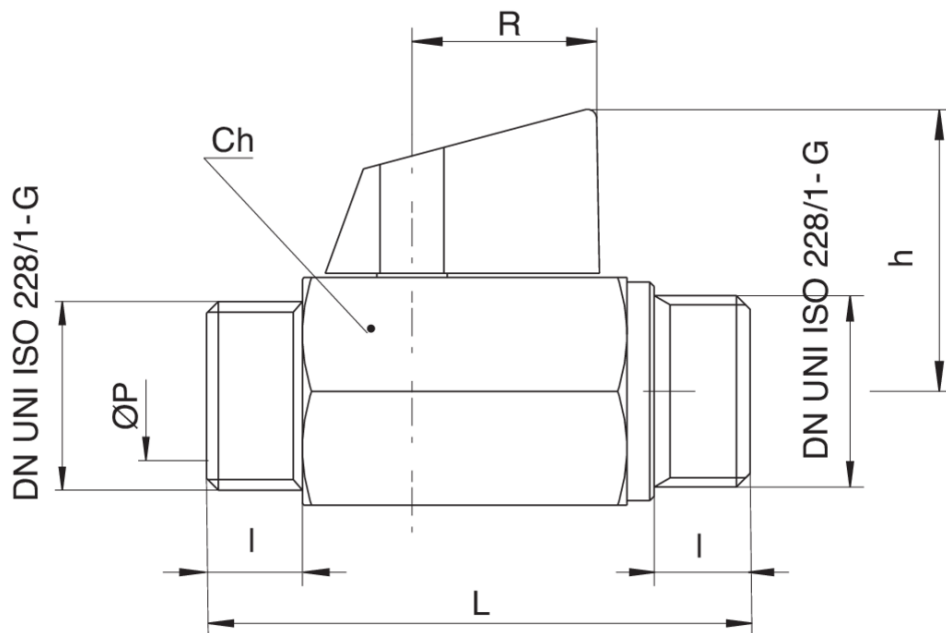


3837

Ball valve, M/M threaded, sandblasted and chrome plated, with handle.



Technical specifications



SIZE	DN	BOX	MASTER BOX	CODE	ØP	I	L	H	CH	R	KV	PN	KG
1/8"	6	50	300	3837010000	8	8	53,5	29	21	20,5	4,3	10	0,09
1/4"	8	50	300	3837020000	8	10	53	29	21	20,5	4,3	10	0,10
3/8"	10	50	300	3837030000	8	10	53	29	21	20,5	2,7	10	0,10
1/2"	15	35	210	3837040000	10	11	59,5	31	25	20,5	5,4	10	0,16

Temperature range: -20°C +90°C.

Applications



DRINKING WATER



HEATING



HVAC



COMPRESSED AIR



INDUSTRIAL



MARINE