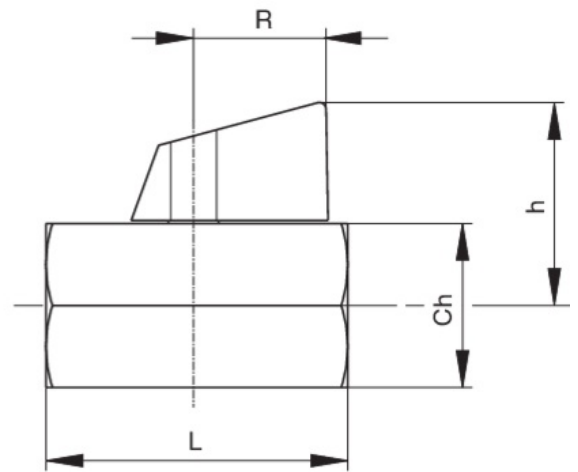
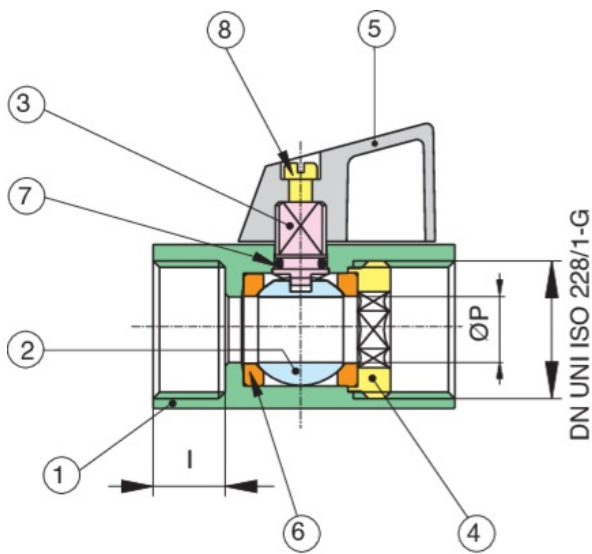


3830

Ball valve, F/F threaded, sandblasted and chrome plated, with handle.



Technical specifications



POSITION	PART NAME	MATERIAL	N.° PIECES
1	BODY	BRASS CW617N UNI EN 12165	1
2	BALL	BRASS CW614N UNI EN 12164	1
3	STEM	BRASS CW614N UNI EN 12164	1
4	WASHER	BRASS CW614N UNI EN 12164	1
5	HANDLE	PA 6,6	1
6	BALL SEAT	PTFE	1
7	O-RING	NBR	1
8	SCREW	STEEL DD11	1

SIZE	DN	BOX	MASTER BOX	CODE	ØP	I	L	H	CH	R	KV	PN	KG
1/8"	6	50	300	3830010000	8	8	41	29	21	20,5	4,3	10	0,11
1/4"	8	40	240	3830020000	8	10	41	29	21	20,5	4,3	10	0,10
3/8"	10	50	300	3830030000	8	10	41	29	21	20,5	2,7	10	0,08
1/2"	15	35	210	3830040000	10	11	46	31	25	20,5	5,4	10	0,13

Temperature range: -20°C +90°C.

Applications



DRINKING
WATER



HEATING



HVAC



COMPRESSED
AIR



INDUSTRIAL



MARINE