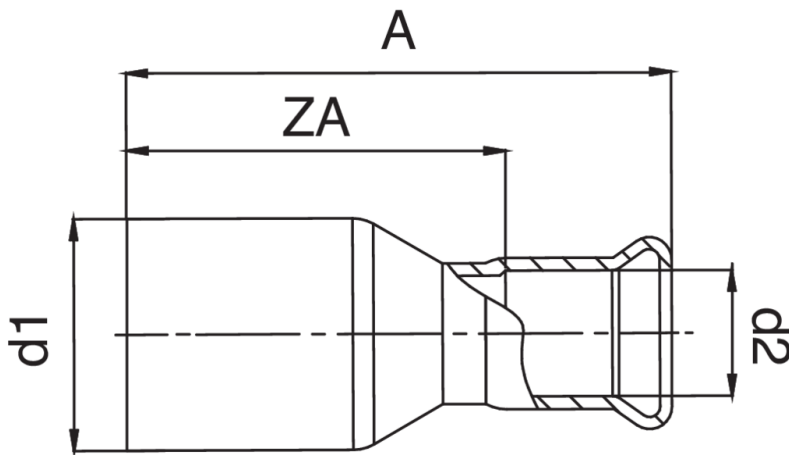




M/F reducer.



Technical specifications



D1 X D2	BAG	MASTER BOX	CODE	A	ZA
18 x 15	10	200	CM0243018015000	55	36
22 x 15	10	150	CM0243022015000	60	31
22 x 18	10	150	CM0243022018000	60	41
28 x 15	5	100	CM0243028015000	68	49
28 x 18	10	100	CM0243028018000	68	49
28 x 22	10	100	CM0243028022000	63	42
35 x 15	5	100	CM0243035015000	27	67,5
35 x 18	5	50	CM0243035018000	77	58
35 x 22	10	60	CM0243035022000	70	49
35 x 28	10	50	CM0243035028000	67	45
42 x 22	5	40	CM0243042022000	106	61
42 x 28	5	40	CM0243042028000	82	60
42 x 35	5	40	CM0243042035000	76	51
54 x 22	5	20	CM0243054022000	99	78
54 x 28	5	20	CM0243054028000	96	74
54 x 35	5	20	CM0243054035000	94	69
54 x 42	5	20	CM0243054042000	95	66

Applications

