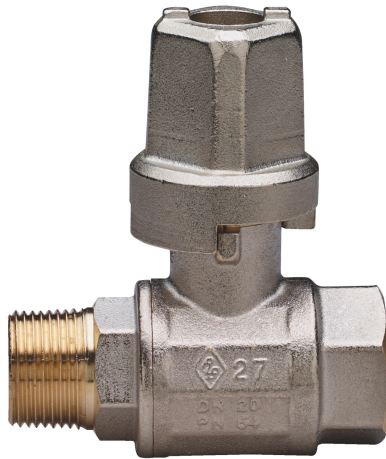
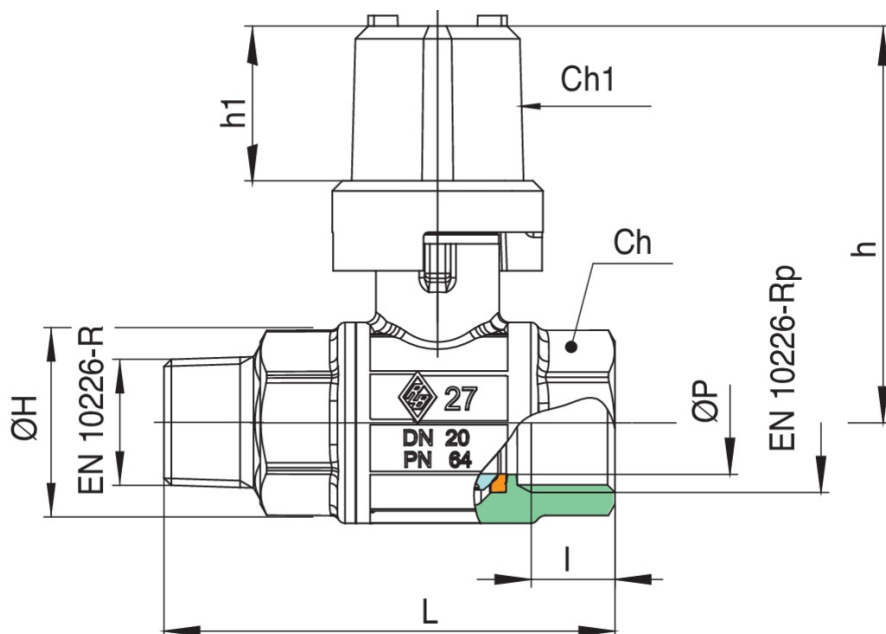


2771

Full bore ball valve, M/F threaded, with pyramidal sheared cap.



Technical specifications



SIZE	DN	BOX	MASTER BOX	CODE	ØP	I	L	ØH	CH	CH1	H	H1	KV	PN	KG
3/4"	20	10	20	2771050000	20	16,3	81,5	39	32	27	77	30	29,5	64	0,65
1"	25	10	20	2771060000	25	19,1	94,5	49	38	27	79,5	30	43	64	0,91
1"1/4	32	6	12	2771070000	32	21,4	111	59	48	27	92	30	89	50	1,27
1"1/2	40	4	8	2771080000	40	21,4	119	73	54	27	97	30	230	50	1,68
2"	50	2	4	2771100000	50	25,7	141,5	87	67	27	111	30	265	40	2,68
2"1/2	65	2	4	2771120000	65	30,2	175	111	90	27	115	30	540	25	4,14
3"	80	0	3	2771140000	80	33,3	203,5	136	105	27	126	30	873	25	6,35
4"	100	0	2	2771180000	100	39,3	250	166	130	27	154	30	1390	25	11,75

Temperature range: -20°C +160°C.

Applications



DRINKING
WATER



HEATING



HVAC



COMPRESSED
AIR



INDUSTRIAL



MARINE