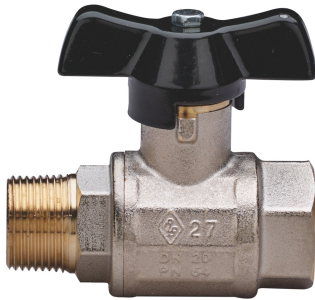
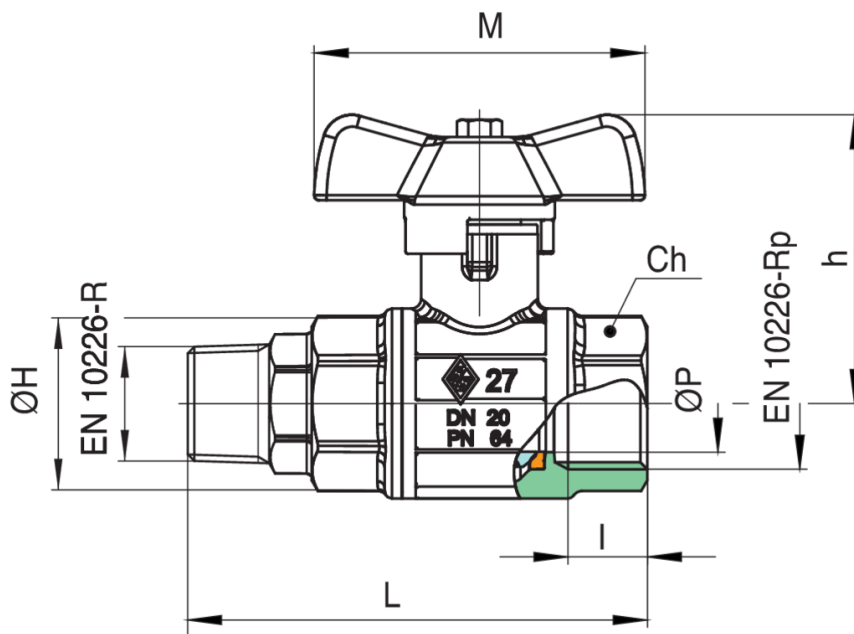


2721



Full bore ball valve, M/F threaded, with aluminium T-handle.

Technical specifications



SIZE	DN	BOX	MASTER BOX	CODE	ØP	I	L	ØH	CH	M	H	KV	PN	KG
1/4"	8	20	80	2721020000	10	11	62	28	22	52	46,5	5,4	64	0,22
3/8"	10	20	80	2721030000	10	11,4	61,5	28	22	52	46,5	6	64	0,22
1/2"	15	20	40	2721040000	15	15	72,5	33	27	52	48,5	16,3	64	0,30
3/4"	20	10	20	2721050000	20	16,3	81,5	39	32	68	59	29,5	64	0,45
1"	25	10	20	2721060000	25	19,1	94,5	49	38	68	63	43	64	0,69

Temperature range: -20°C +160°C.

Applications



DRINKING WATER



HEATING



HVAC



COMPRESSED AIR



INDUSTRIAL



MARINE