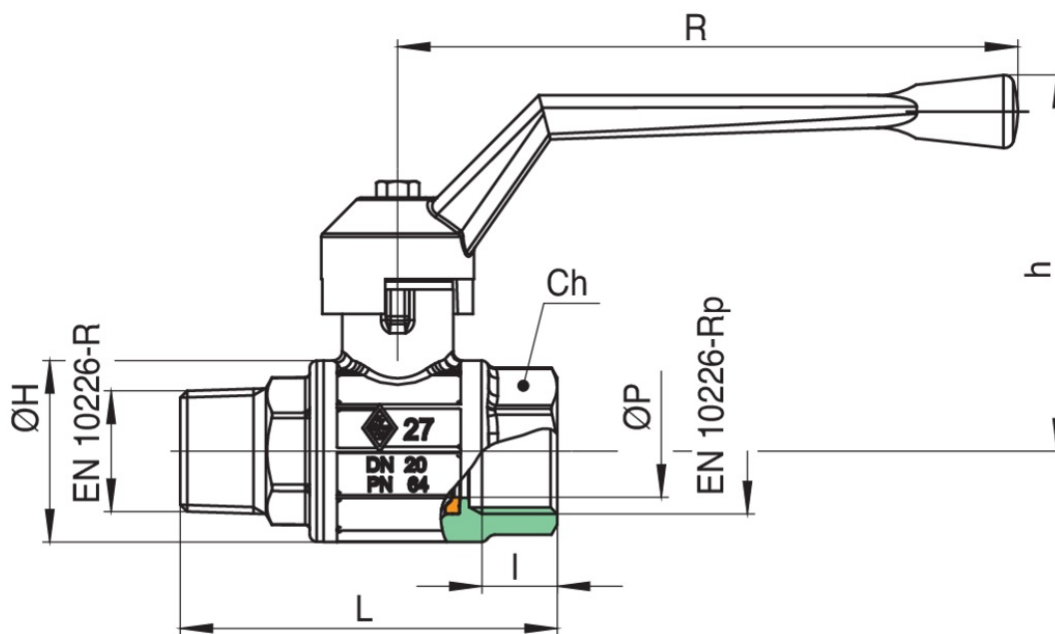


2701



Full bore ball valve, M/F threaded, with aluminium handle.

Technical specifications



SIZE	DN	BOX	MASTER BOX	CODE	ØP	I	L	ØH	CH	R	H	KV	PN	KG
1/4"	8	20	80	2701020000	8	11	62	28	22	120	62	5,4	64	0,25
3/8"	10	20	80	2701030000	10	11,4	61,5	28	22	120	62	6	64	0,25
1/2"	15	20	40	2701040000	15	15	72,5	33	27	120	64	16,3	64	0,33
3/4"	20	10	20	2701050000	20	16,3	81,5	39	32	134	80	29,5	64	0,49
1"	25	10	20	2701060000	25	19,1	94,5	49	38	134	83	43	64	0,73
1 1/4"	32	6	12	2701070000	32	21,4	111	59	48	170	105	89	50	1,16
1 1/2"	40	4	8	2701080000	40	21,4	119	73	54	170	110	230	50	1,58
2"	50	2	4	2701100000	50	25,7	141,5	87	67	205	123	265	40	2,56

Temperature range: -20°C +160°C.

Applications



DRINKING WATER



HEATING



HVAC



COMPRESSED AIR



INDUSTRIAL



MARINE