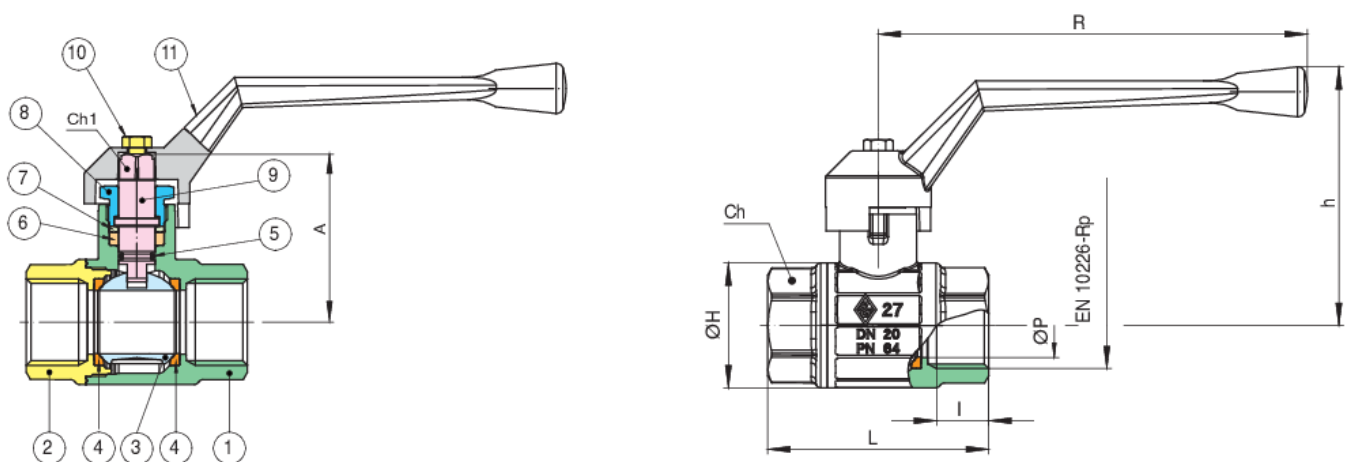




Full bore ball valve, F/F threaded, with aluminium handle.

Technical specifications



POSITION	PART NAME	MATERIAL	N.° PIECES
1	BODY	BRASS CW617N UNI EN 12420	1
2	END CONNECTION	BRASS CW617N UNI EN 12420	1
3	BALL	BRASS CW617N UNI EN 12420	1
4	BALL SEAT	PTFE	2
5	O-RING	NBR	1
6	STEM SEAL/THRUST WASHER	PTFE	1
7	PACKING GLAND	BRASS CW614N UNI EN 12164	1
8	STEM RETAINING NUT	BRASS CW617N UNI EN 12164	1
9	STEM	BRASS CW614N UNI EN 12164	1
10	SCREW	STEEL CL 8.8	1
11	HANDLE	ALUMINIUM EN-AC 46100 EN 1706	1

SIZE	DN	BOX	MASTER BOX	CODE	ØP	A	CH1	I	L	ØH	CH	R	H	KV	PN	KG
1/4"	8	20	80	2700020000	10	41,5	6,4	11	52	28	22	120	63	5,4	64	0,25
3/8"	10	20	80	2700030000	10	41,5	6,4	11,4	52	28	22	120	63	6	64	0,24
1/2"	15	20	40	2700040000	15	43	6,4	15	62	33	27	120	64	16,3	64	0,32
3/4"	20	10	20	2700050000	20	52	8,2	16,3	69	39	32	134	80	29,5	64	0,47
1"	25	10	20	2700060000	25	55	8,2	19,1	83	49	38	134	83	43	64	0,70
1"1/4	32	6	12	2700070000	32	68	12	21,4	96	59	48	170	105	89	50	1,09
1"1/2	40	4	8	2700080000	40	73	12	21,4	108	73	54	170	110	230	50	1,54
2"	50	2	4	2700100000	50	89	14	25,7	127,5	87	67	205	123	265	40	2,49

Temperature range: -20°C +160°C.

Applications



DRINKING
WATER



HEATING



HVAC



COMPRESSED
AIR



INDUSTRIAL



MARINE