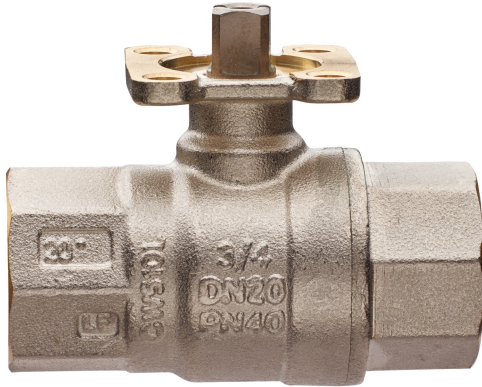
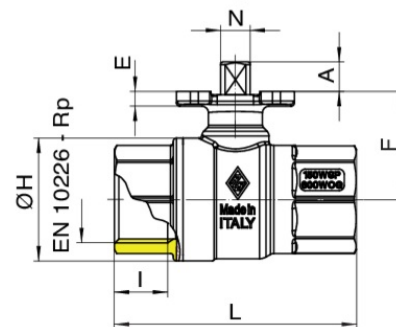
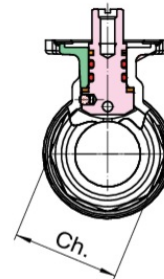
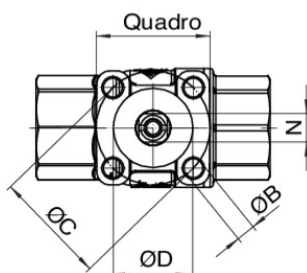
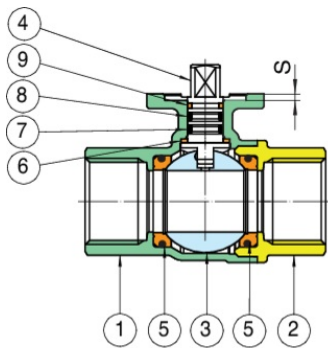


2530 LF



Full bore ball valve, F/F threaded, with ISO 5211 pad for actuator, body in lead-free brass (<0,1% Pb). Stainless steel ball and stem. Suitable for solvents. It complies with **REACH (n. 1907/2006)** and **RoHS (2011/65/EU)**. **ATEX APPROVED.**

Technical specifications



POSITION	PART NAME	MATERIAL	N.° PIECES
1	BODY	BRASS CW510L UNI EN 12164-12165	1
2	END CONNECTION	BRASS CW510L UNI EN 12164-12165	1
3	BALL	STAINLESS STEEL A351	1
4	STEM	STAINLESS STEEL AISI 304	1
5	BALL SEAT	PTFE	2
6	ANTIFRICTION SEAT	PTFE	1
7	O-RING	FKM	1
8	O-RING	EPDM	1
9	ANTIFRICTION SEAT	PTFE	1

SIZE	DN	BOX	MASTER BOX	CODE	L	CH	ØH	L	A	ØB	ØC	ØD	S	SQUARE	E	F	N	KV	PN	KG
1/4"	8	20	80	253002LF00	11	20	30	57	9	6	36 F03	25	2	36	4,5	31	9	5,4	40	0,20
3/8"	10	20	80	253003LF00	11,4	20	30	57	9	6	36 F03	25	2	36	4,5	31	9	6	40	0,19
1/2"	15	20	80	253004LF00	15	25	30	66,5	9	6	36 F03	25	2	36	4,5	31	9	16,3	40	0,21
3/4"	20	10	40	253005LF00	16,3	31	37,5	74	9	6	36 F03	25	3	36	4,5	33	9	29,5	40	0,32
1"	25	10	20	253006LF00	19,1	38	46,5	87	9	6	36 F03	25	3	36	4,5	39,5	9	43	40	0,54
1"1/4	32	6	12	253007LF00	21,4	48	56	98,5	9	6	36 F03	25	3	36	4,5	43	9	89	40	0,87
1"1/2	40	4	8	253008LF00	21,4	54	69,5	110	11	7	50 F05	35	3	50	7	56	11	230	40	1,44
2"	50	2	4	253010LF00	25,7	67	88	135	11	7	50 F05	35	3	50	7	65,25	11	265	40	2,56
2"1/2	65	2	4	253012LF00	30,2	86	112	161	15	9	70 F10	55	3	68	8,5	82	14	540	25	4,80
3"	80	0	4	253014LF00	33,3	102	132	183	15	9	70 F10	55	3	68	8,5	91,5	14	873	16	7,45
4"	100	0	2	253018LF00	39,3	125	164	219	17,5	9	70 F10	55	3	68	8,5	112,5	17	1390	16	12,71

Temperature range: -20°C +160°C.

Applications



DRINKING
WATER



HEATING



HVAC



COMPRESSED
AIR



INDUSTRIAL



MARINE