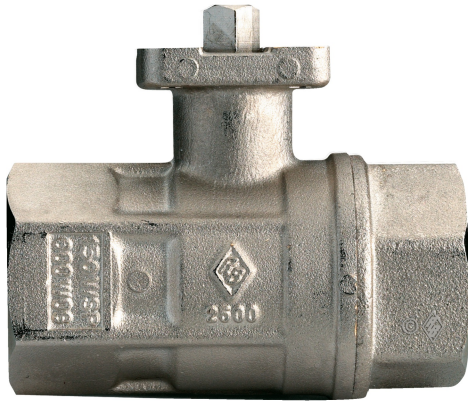
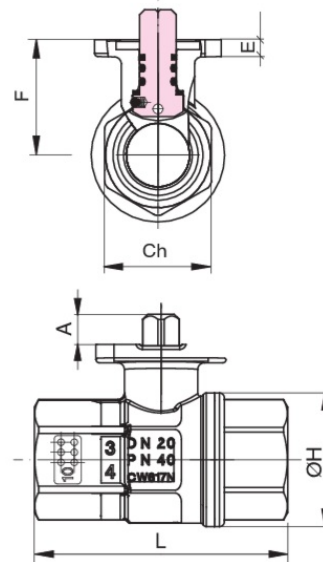
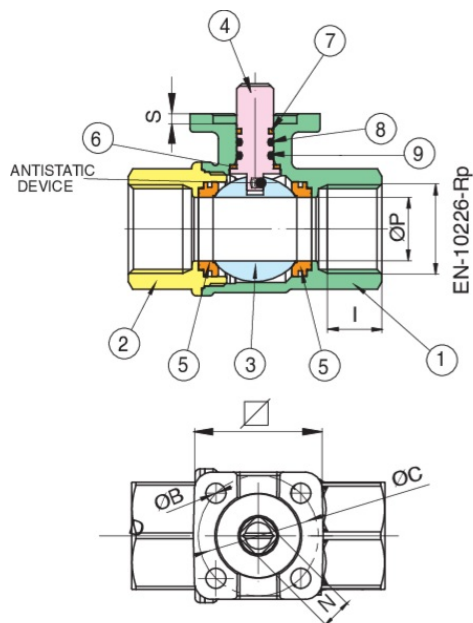


2530

Full bore ball valve F/F with ISO 5211 pad for actuator, stainless steel ball and stem, **suitable for solvents**.
ATEX APPROVED.



Technical specifications



POSITION	PART NAME	MATERIAL	N.° PIECES
1	BODY	BRASS CW617N UNI EN 12165	1
2	END CONNECTION	BRASS CW617N UNI EN 12165	1
3	BALL	STAINLESS STEEL AISI 304	1
4	STEM	STAINLESS STEEL AISI 304	1
5	BALL SEAT	PTFE	2
6	ANTIFRICTION SEAT	PTFE	1
7	ANTIFRICTION SEAT	PTFE	1
8	O-RING	EPDM	1
9	O-RING	FKM	1

SIZE	DN	BOX	MASTER BOX	CODE	L	CH	ØH	L	A	ØB	ØC	ØD	S	SQUARE	E	F	N	KV	PN	KG
1/4"	8	20	80	2530020000	11	27	33,5	67	9	6	36 F03	25	2	38	5,5	32,5	9	5,4	40	0,37
3/8"	10	20	80	2530030000	11,4	27	33,5	67	9	6	36 F03	25	2	38	5,5	32,5	9	6	40	0,35
1/2"	15	20	80	2530040000	15	27	33,5	67	9	6	36 F03	25	2	38	5,5	32,5	9	16,3	40	0,31
3/4"	20	10	40	2530050000	16,3	32	40	76	9	6	36 F03	25	2	38	5,5	34,5	9	29,5	40	0,40
1"	25	10	20	2530060000	19,1	41	49	90	9	6	36 F03	25	3	38	6	45,5	9	43	40	0,75
1"1/4	32	6	12	2530070000	21,4	50	58,5	102	9	6	36 F03	25	3	38	6	49	9	89	40	1,05
1"1/2	40	4	8	2530080000	21,4	55	73	114	11	7	50 F05	35	3	50	10	64	11	230	40	1,73
2"	50	2	4	2530100000	25,7	70	91,5	138	11	7	50 F05	35	3	50	8	73,2	11	265	40	2,98

Temperature range: -20°C +160°C.

Warning: please make sure that between body and ball no overpressure may happen. For further details please contact Rubinetterie Bresciane technical office.

Applications



DRINKING
WATER



HEATING



HVAC



COMPRESSED
AIR



INDUSTRIAL



MARINE