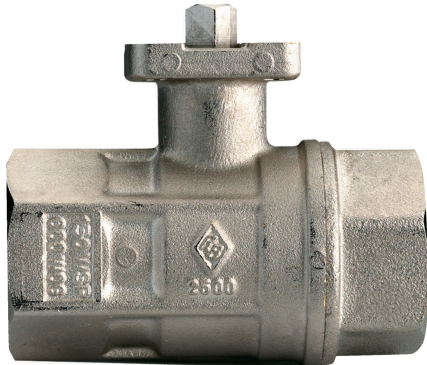
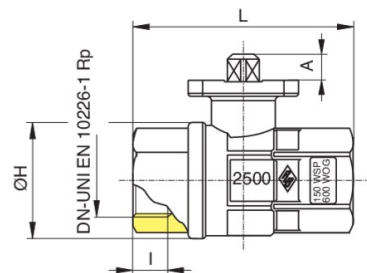
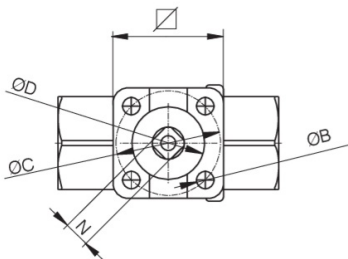
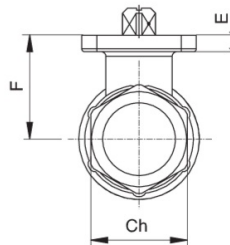
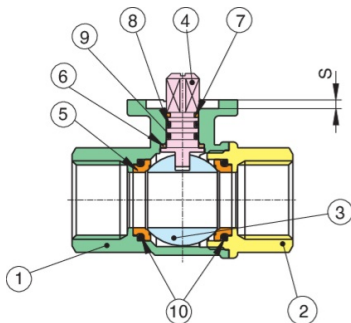


2500

Full bore ball valve, F/F threaded, with ISO 5211 pad for actuator.



Technical specifications



| POSITION | PART NAME | MATERIAL | N.° PIECES |
|----------|-------------------|---------------------------|------------|
| 1 | BODY | BRASS CW617N UNI EN 12420 | 1 |
| 2 | END CONNECTION | BRASS CW617N UNI EN 12420 | 1 |
| 3 | BALL | BRASS CW617N UNI EN 12165 | 1 |
| 4 | STEM | BRASS CW614N UNI EN 12164 | 1 |
| 5 | BALL SEAT | PTFE | 2 |
| 6 | ANTIFRICTION SEAT | PTFE | 1 |
| 7 | ANTIFRICTION SEAT | PTFE | 1 |
| 8 | O-RING | EPDM | 1 |
| 9 | O-RING | FKM | 1 |
| 10 | O-RING | FKM | 2 |

| SIZE | DN | BOX | MASTER BOX | CODE | L | CH | ØH | L | A | ØB | ØC | ØD | S | SQUARE | E | F | N | KV | PN | KG |
|-------|-----|-----|------------|------------|------|-----|-------|-----|------|----|--------|----|---|--------|-----|-------|----|------|----|-------|
| 1/4" | 8 | 20 | 80 | 2500020000 | 11 | 27 | 33,5 | 67 | 9 | 6 | 36 F03 | 25 | 2 | 38 | 5,5 | 32,5 | 9 | 5,4 | 40 | 0,37 |
| 3/8" | 10 | 20 | 80 | 2500030000 | 11,4 | 27 | 33,5 | 67 | 9 | 6 | 36 F03 | 25 | 2 | 38 | 5,5 | 32,5 | 9 | 6 | 40 | 0,35 |
| 1/2" | 15 | 20 | 80 | 2500040000 | 15 | 27 | 33,5 | 67 | 9 | 6 | 36 F03 | 25 | 2 | 38 | 5,5 | 32,5 | 9 | 16,3 | 40 | 0,31 |
| 3/4" | 20 | 10 | 40 | 2500050000 | 16,3 | 32 | 40 | 76 | 9 | 6 | 36 F03 | 25 | 3 | 38 | 5 | 34,5 | 9 | 29,5 | 40 | 0,40 |
| 1" | 25 | 10 | 20 | 2500060000 | 19,1 | 41 | 49 | 90 | 9 | 6 | 36 F03 | 25 | 3 | 38 | 6 | 45,5 | 9 | 43 | 40 | 0,72 |
| 1"1/4 | 32 | 6 | 12 | 2500070000 | 21,4 | 50 | 58,5 | 102 | 9 | 6 | 36 F03 | 25 | 3 | 38 | 6 | 49 | 9 | 89 | 40 | 1,06 |
| 1"1/2 | 40 | 4 | 8 | 2500080000 | 21,4 | 55 | 73 | 114 | 11 | 7 | 50 F05 | 35 | 3 | 50 | 8 | 64 | 11 | 230 | 40 | 1,73 |
| 2" | 50 | 2 | 4 | 2500100000 | 25,7 | 70 | 91,5 | 138 | 11 | 7 | 50 F05 | 35 | 3 | 50 | 8 | 73,2 | 11 | 265 | 40 | 2,94 |
| 2"1/2 | 65 | 2 | 4 | 2500120000 | 30,2 | 90 | 114,5 | 165 | 15 | 9 | 70 F10 | 55 | 3 | 70 | 9 | 88,5 | 14 | 540 | 25 | 4,06 |
| 3" | 80 | 0 | 4 | 2500140000 | 33,3 | 105 | 136 | 188 | 15 | 9 | 70 F10 | 55 | 3 | 70 | 9 | 98 | 14 | 873 | 16 | 6,41 |
| 4" | 100 | 0 | 2 | 2500180000 | 39,3 | 130 | 166 | 225 | 17,5 | 9 | 70 F10 | 55 | 3 | 70 | 8,5 | 116,5 | 17 | 1390 | 16 | 10,20 |

Temperature range: -20°C +160°C.

Applications



DRINKING
WATER



HEATING



HVAC



COMPRESSED
AIR



INDUSTRIAL



MARINE