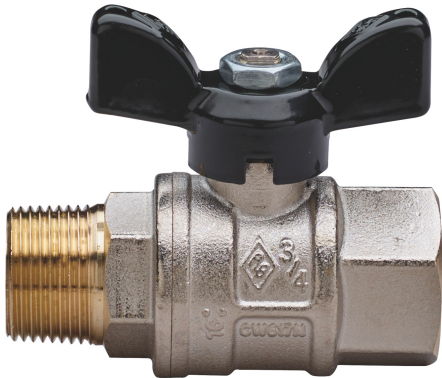
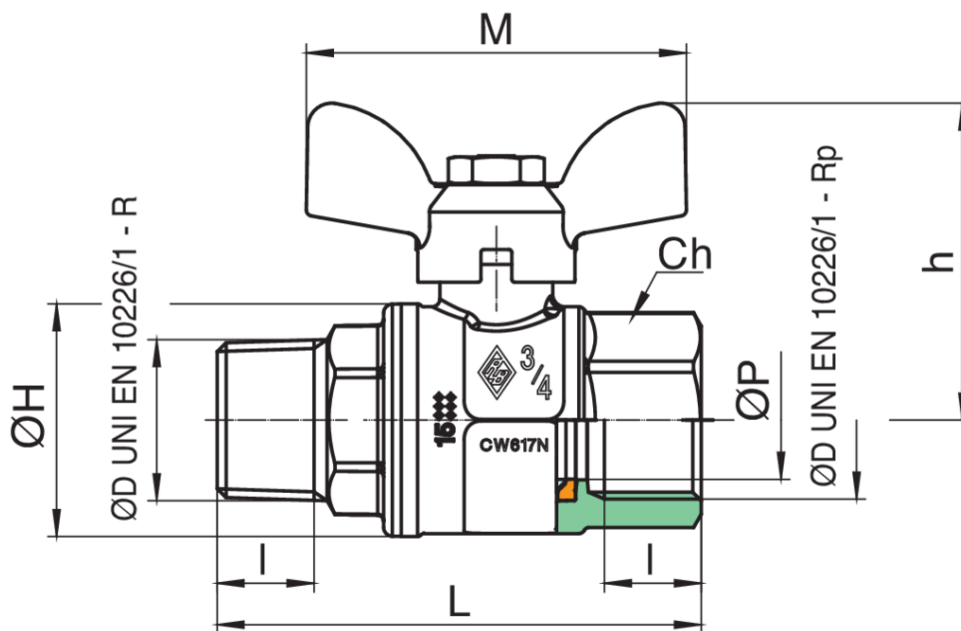


2321



Full bore ball valve, M/F threaded, with aluminium T-handle and rinsing/compensation hole.

Technical specifications



SIZE	DN	BOX	MASTER BOX	CODE	ØP	I	L	ØH	CH	M	H	KV	PN	KG
1/4**	8	20	80	1721020000	10	11	59	23	20	50	37,5	5,4	64	0,13
3/8**	10	20	80	1721030000	10	11,4	59,5	23	20	50	37,5	6	64	0,13
1/2"	15	20	80	2321040000	15	15	72,5	33	27	50	41,5	16,3	64	0,24
3/4"	20	10	40	2321050000	20	16,3	81,5	39	32	64	53	29,5	64	0,37
1"	25	10	20	2321060000	25	19,1	94,5	49	38	64	57	43	64	0,60

Temperature range: -20°C +160°C.

*Art. [1721](#)

Applications



DRINKING
WATER



HEATING



HVAC



COMPRESSED
AIR



INDUSTRIAL



MARINE