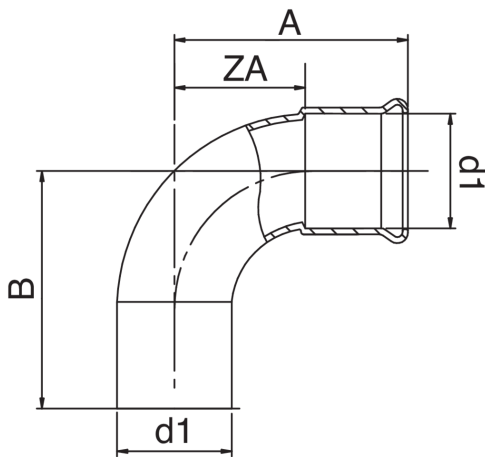




M/F 90° elbow.



Technical specifications



D1	BAG	MASTER BOX	CODE	A	B	ZA
15	10	200	CM0001015015000	36	42	16
18	10	150	CM0001018018000	41	50	21
22	10	80	CM0001022022000	46	53	23
28	5	40	CM0001028028000	57	60	34
35	5	30	CM0001035035000	62	75	36
42	1	10	CM0001042042000	76	94	46
54	1	7	CM0001054054000	94	110	59

Applications



HEATING



HVAC



COMPRESSED
AIR