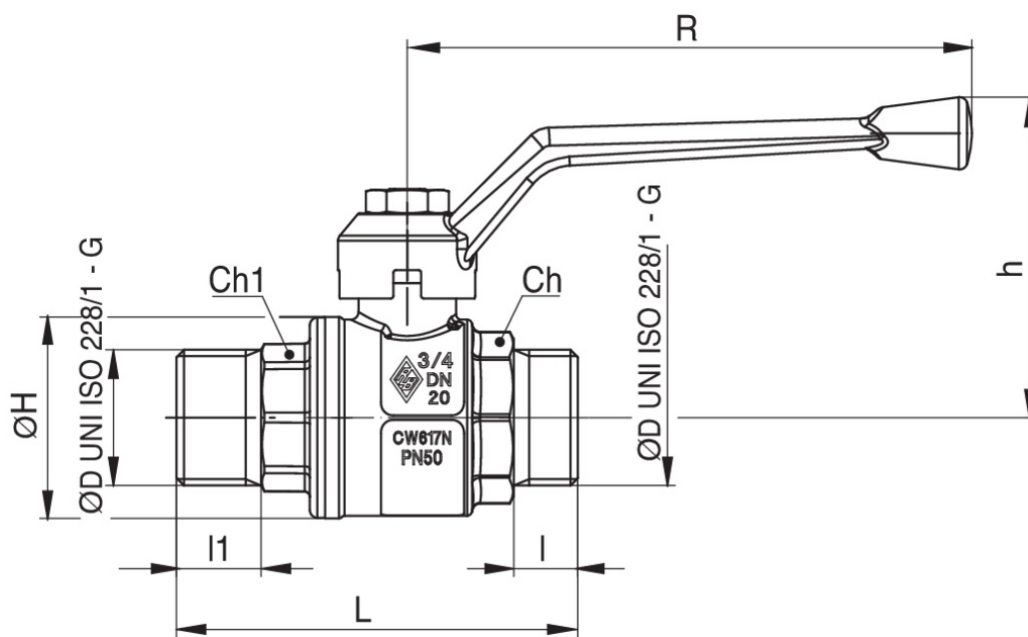


1803

Full bore ball valve, M/M threaded, with aluminium handle.

Technical specifications



| SIZE | DN | BOX | MASTER BOX | CODE | ØP | I | I1 | L | ØH | CH | R | H | KV | PN | KG |
|-------|----|-----|------------|------------|------|------|------|-------|----|----|-----|------|------|----|------|
| 1/2" | 15 | 20 | 80 | 1803040000 | 14 | 11,5 | 13 | 65,5 | 33 | 25 | 95 | 49,5 | 16,3 | 64 | 0,19 |
| 3/4" | 20 | 10 | 40 | 1803050000 | 19 | 12,5 | 16,5 | 78,25 | 39 | 31 | 110 | 62 | 29,5 | 50 | 0,35 |
| 1" | 25 | 10 | 20 | 1803060000 | 25 | 15 | 19 | 87 | 49 | 38 | 110 | 66 | 43 | 50 | 0,52 |
| 1"1/4 | 32 | 6 | 12 | 1803070000 | 32 | 17,5 | 21,5 | 103 | 59 | 48 | 160 | 79,5 | 89 | 50 | 0,56 |
| 1"1/2 | 40 | 4 | 8 | 1803080000 | 38 | 18 | 21,5 | 119 | 73 | 54 | 160 | 86 | 230 | 40 | 1,28 |
| 2" | 50 | 2 | 4 | 1803100000 | 49,5 | 22 | 25,7 | 142,2 | 87 | 67 | 170 | 104 | 265 | 40 | 2,05 |

Temperature range: -20°C +160°C.

Applications



DRINKING WATER



HEATING



HVAC



COMPRESSED AIR



INDUSTRIAL



MARINE