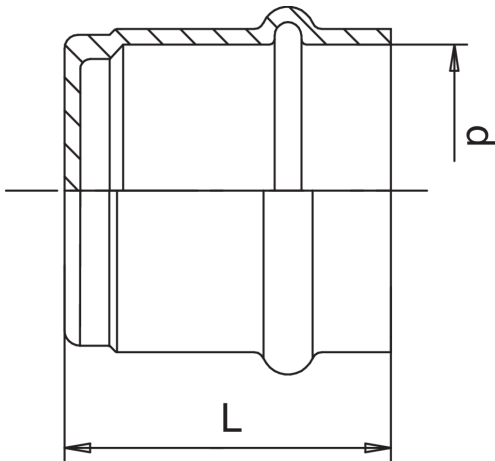


Technical specifications



| D | BAG | MASTER BOX | CODE | L |
|----|-----|------------|-----------------|----|
| 12 | 10 | 200 | ZC0302012000000 | 21 |
| 15 | 10 | 200 | ZC0302015000000 | 25 |
| 18 | 10 | 350 | ZC0302018000000 | 26 |
| 22 | 10 | 200 | ZC0302022000000 | 27 |
| 28 | 10 | 200 | ZC0302028000000 | 28 |
| 35 | 5 | 80 | ZC0302035000000 | 29 |
| 42 | 5 | 20 | ZC0302042000000 | 39 |
| 54 | 5 | 20 | ZC0302054000000 | 43 |

Applications



HEATING



HVAC



COMPRESSED
AIR