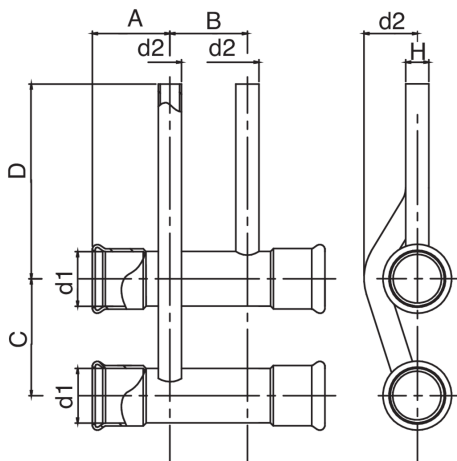


Single crossover.



Technical specifications



D1 X D2	BAG	MASTER BOX	CODE	A	B	C	D	H
12 x 12	1	10	ZC0350012012000	40	40	60	100	27
15 x 12	1	5	ZC0350015012000	40	40	60	100	28
15 x 15	1	5	ZC0350015015000	40	40	60	100	31
18 x 12	1	5	ZC0350018012000	40	40	60	100	28
18 x 15	1	5	ZC0350018015000	40	40	60	100	31
22 x 12	1	5	ZC0350022012000	40	40	60	100	30
22 x 15	1	5	ZC0350022015000	40	40	60	100	34
28 x 12	1	5	ZC0350028012000	40	40	60	100	30
28 x 15	1	10	ZC0350028015000	40	40	60	100	35

Applications

