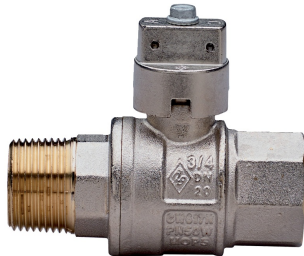
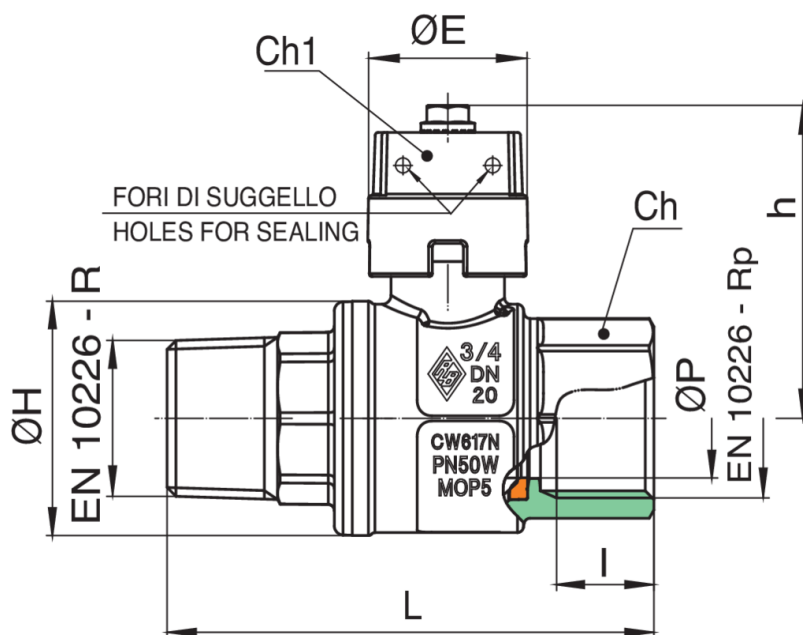


1781

Full bore ball valve, M/F threaded, with lockable cap.



Technical specifications



SIZE	DN	BOX	MASTER BOX	CODE	ØP	I	L	H	CH	CH1	ØH	ØE	KV	PN	KG
1/2"	15	20	80	1781040000	15	15	72,5	42,5	25	12	33	23,5	16,3	64	0,22
3/4"	20	10	40	1781050000	20	16,3	81,5	52	31	12	39	27	29,5	50	0,36
1"	25	10	20	1781060000	25	19,1	94,5	56	38	12	49	27	43	50	0,54
1"1/4"	32	6	12	1781070000	32	21,4	111	66,5	48	12	59	32	89	50	0,90
1"1/2"	40	4	8	1781080000	40	21,4	119	72,5	54	12	73	32	230	40	1,26
2"	50	2	4	1781100000	49,5	25,7	140	85	67	18	86	40	265	40	2,06

Temperature range: -20°C +160°C.

Applications



DRINKING WATER



HEATING



HVAC



COMPRESSED AIR



INDUSTRIAL



MARINE