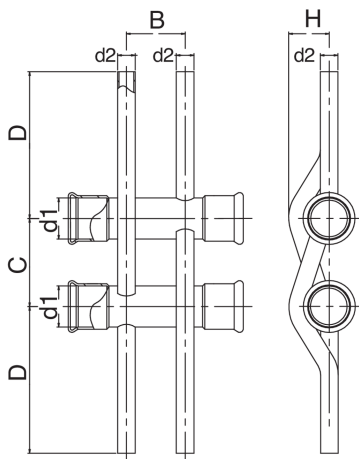


Double crossover.



Technical specifications



D1 X D2	BAG	MASTER BOX	CODE	B	C	D	H
12 x 12	1	5	ZC0360012012000	40	60	100	27
15 x 12	1	5	ZC0360015012000	40	60	100	28
18 x 12	1	5	ZC0360018012000	40	60	100	28
18 x 15	1	5	ZC0360018015000	40	60	100	31
22 x 12	1	10	ZC0360022012000	40	60	100	30
22 x 15	1	5	ZC0360022015000	40	60	100	34
28 x 12	1	5	ZC0360028012000	40	60	100	30
28 x 15	1	5	ZC0360028015000	40	60	100	35
35 x 15	1	5	ZC0360035015000	40	60	100	39

Applications



HEATING



HVAC



COMPRESSED
AIR