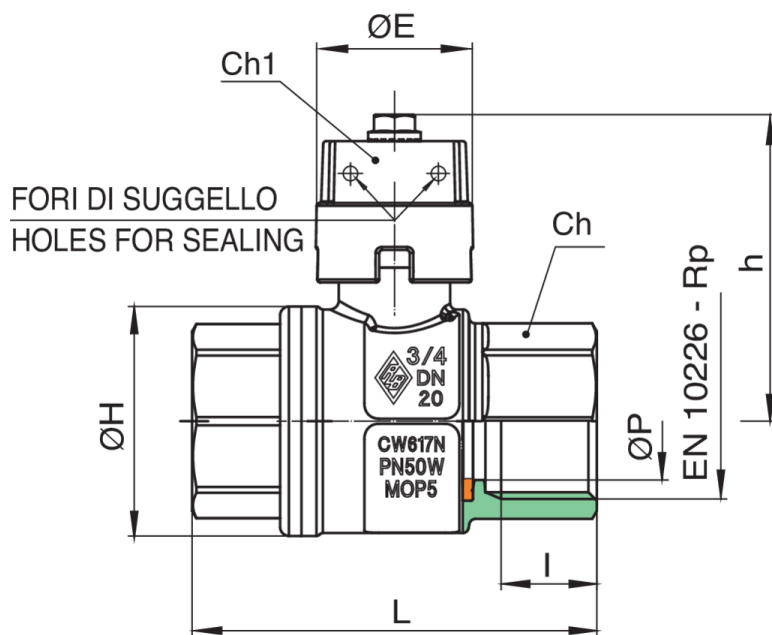


1780

Full bore ball valve, F/F threaded, with lockable cap.



Technical specifications



SIZE	DN	BOX	MASTER BOX	CODE	ØP	I	L	H	CH	CH1	ØH	ØE	KV	PN	KG
1/2"	15	20	80	1780040000	15	15	62	42,5	25	12	33	23,5	16,3	64	0,20
3/4"	20	10	40	1780050000	20	16,3	69	52	31	12	39	27	29,5	50	0,33
1"	25	10	20	1780060000	25	19,1	83	56	38	12	49	27	43	50	0,51
1"1/4	32	6	12	1780070000	32	21,4	96	66,5	48	12	59	32	89	50	0,83
1"1/2	40	4	8	1780080000	40	21,4	108	72,5	54	12	73	32	230	40	1,23
2"	50	2	4	1780100000	50	25,7	127,5	85	67	18	86	40	265	40	2,00
2"1/2	65	2	4	1780120000	65	30,2	152	104	90	18	111	50	540	25	3,58
3"	80	-	4	1780140000	80	33,3	177	115	105	18	136	50	873	25	5,79
4"	100	-	2	1780180000	100	39,3	214	138	130	23	166	55	1390	25	10,24

Temperature range: -20°C +160°C.

Applications



DRINKING
WATER



HEATING



HVAC



COMPRESSED
AIR



INDUSTRIAL



MARINE