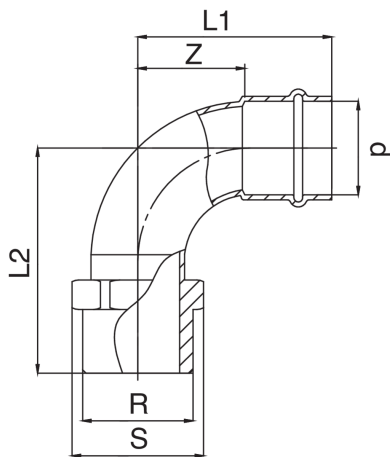




F/male thread elbow.



Technical specifications



| D X R | BAG | MASTER BOX | CODE | L1 | L2 | S | Z |
|------------|-----|------------|-----------------|-----|-----|----|----|
| 15 x 3/8" | 10 | 100 | ZC0F92A38015000 | 42 | 38 | 21 | 22 |
| 15 x 1/2" | 10 | 100 | ZC0F92A12015000 | 42 | 39 | 21 | 22 |
| 18 x 1/2" | 10 | 80 | ZC0F92A12018000 | 45 | 43 | 21 | 22 |
| 22 x 3/4" | 10 | 80 | ZC0F92A34022000 | 51 | 47 | 27 | 27 |
| 28 x 1" | 5 | 30 | ZC0F92B01028000 | 61 | 67 | 34 | 36 |
| 35 x 1"1/4 | 5 | 20 | ZC0F92B14035000 | 69 | 81 | 42 | 43 |
| 35 x 1"1/2 | 1 | 15 | ZC0F92B12035000 | 69 | 84 | 48 | 43 |
| 42 x 1"1/2 | 5 | 15 | ZC0F92B12042000 | 89 | 81 | 50 | 53 |
| 54 x 2" | 1 | 8 | ZC0F92C02054000 | 114 | 106 | 60 | 74 |

Applications

