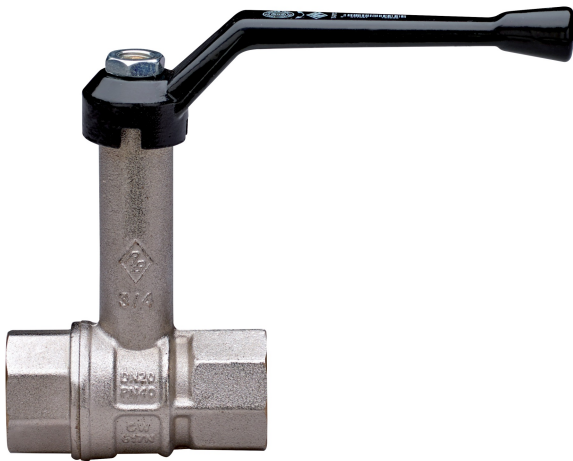
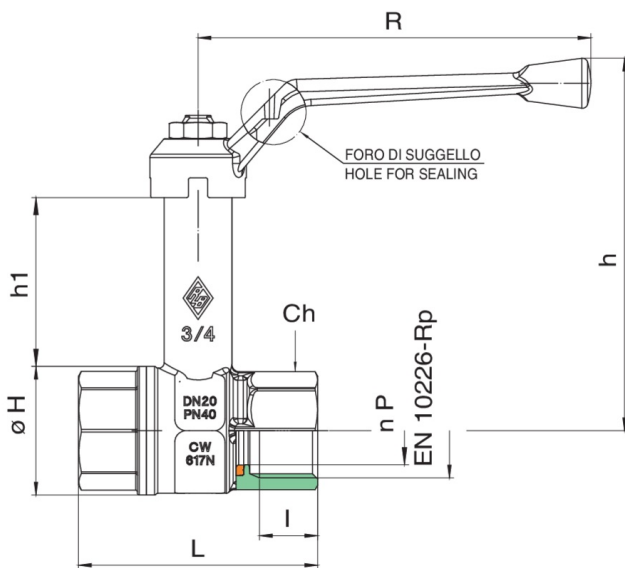


Full bore ball valve F/F, for thermic insulated plants.



Technical specifications



SIZE	DN	BOX	MASTER BOX	CODE	I	L	ØH	CH	R	H	H1	KV	PN	KG
1/2"	15	25	50	1640040000	15	59	30	25	95	93	46	16,3	50	0,23
3/4"	20	20	40	1640050000	16,3	67	36	31	110	104	47	29,5	40	0,37
1"	25	15	30	1640060000	19,1	81,5	43,5	38	110	107,5	47	43	40	0,52
1"1/4	32	6	12	1640070000	21,4	94	53	48	160	137,5	63	89	40	0,89
1"1/2	40	4	8	1640080000	21,4	102,5	65	54	160	143,5	63	230	40	1,21
2"	50	2	4	1640100000	25,7	123	80	67	170	173	75	265	40	2,04

Temperature range: -20°C +160°C.

Applications



DRINKING WATER



HEATING



HVAC



COMPRESSED AIR



INDUSTRIAL



MARINE