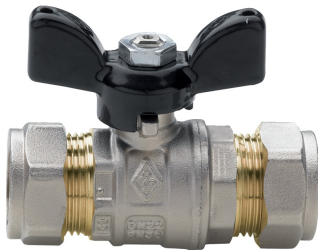
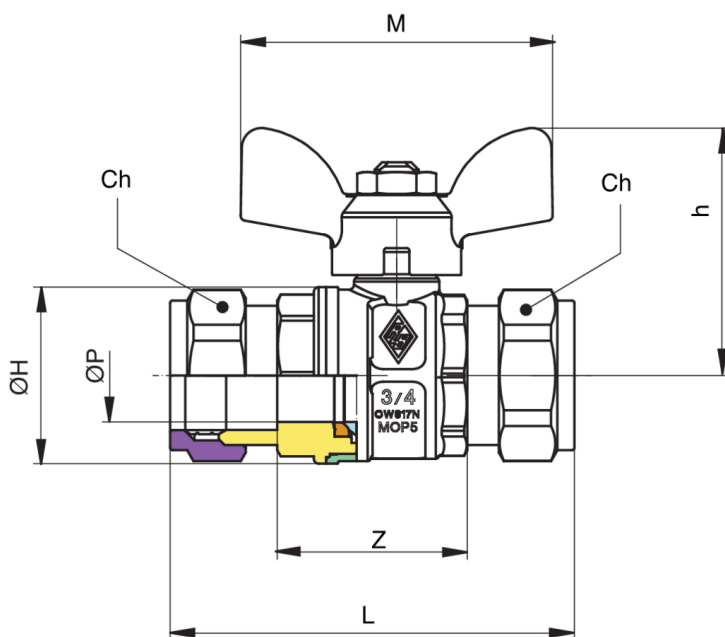


1628



Full bore ball valve, with copper pipe end connections and aluminium T-handle.

Technical specifications



DN	BOX	MASTER BOX	CODE	ØP	Z	CH	ØH	L	H	M	KV	PN	KG
15	20	80	1628040000	14	39	24	30	76	45,6	50	16,3	30	0,23
22	10	40	1628050000	19	39	32	36	84	57	64	29,5	30	0,38
28	10	20	1628060000	25	47,25	38	43,5	93,2	59	64	43	30	0,54

Temperature range: -20°C +160°C.

Applications



DRINKING WATER



HEATING



HVAC



COMPRESSED AIR



INDUSTRIAL



MARINE