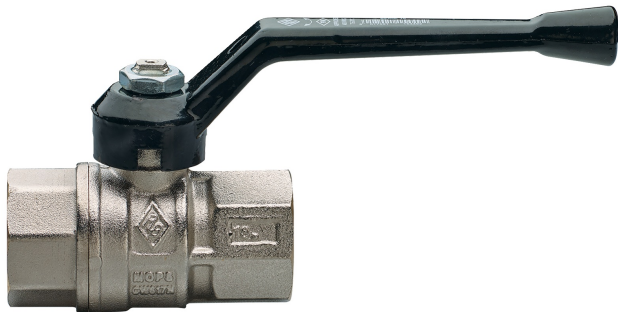


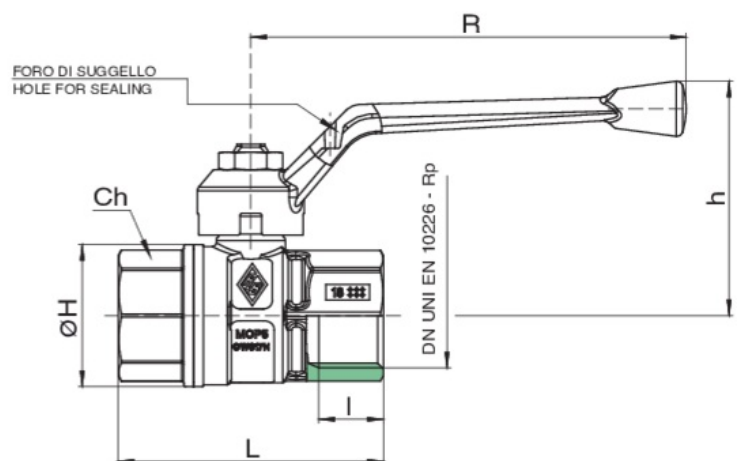
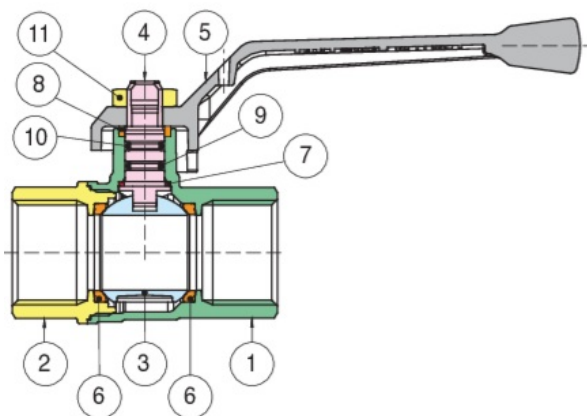
SUPER-SFER

1600



Full bore brass ball valve, F/F threaded, with aluminium handle.

Technical specifications



POSITION	PART NAME	MATERIAL	N.° PIECES
1	BODY	BRASS CW617N UNI EN 12420	1
2	END CONNECTION	BRASS CW617N UNI EN 12420	1
3	BALL	BRASS CW617N UNI EN 12165	1
4	STEM	BRASS CW614N UNI EN 12164	1
5	HANDLE	ALUMINIUM EN-AC 46100 EN 1706	1
6	BALL SEAT	PTFE	1
7	ANTIFRICTION SEAT	PTFE	1
8	PACKING GLAND	PTFE	1
9	O-RING	NBR	1
10	O-RING	FKM	1
11	NUT	STEEL CL 04 UNI EN ISO 898	1

SIZE	DN	BOX	MASTER BOX	CODE	I	CH	ØH	L	H	R	KV	PN	KG
1/4**	8	20	80	1700020000	11	20	23	51,5	46,5	95	5,4	64	0,14
3/8**	10	20	80	1700030000	11,4	20	23	51,5	46,5	95	6	64	0,12
1/2"	15	20	80	1600040000	15	25	30	59	47,5	95	16,3	50	0,17
3/4"	20	10	40	1600050000	16,3	31	36	67	59,5	110	29,5	40	0,28
1"	25	10	20	1600060000	19,1	38	43,5	81,5	62	110	43	40	0,44
1"1/4	32	6	12	1600070000	21,4	48	53	94	75,5	160	89	40	0,75
1"1/2	40	4	8	1600080000	21,4	54	65	102,5	81,5	160	230	40	1,03
2"	50	2	4	1600100000	25,7	67	80	123	99,5	170	265	40	1,80
2"1/2*	65	2	4	1700120000	30,2	90	111	152	129	205	540	25	3,65
3**	80	0	4	1700140000	33,3	105	136	177	140	205	873	25	5,87
4**	100	0	2	1700180000	39,3	130	166	214	160	260	1390	25	10,49

Temperature range: -20°C +160°C.

*Art. [1700](#)

Applications



DRINKING
WATER



HEATING



HVAC



COMPRESSED
AIR



INDUSTRIAL



MARINE