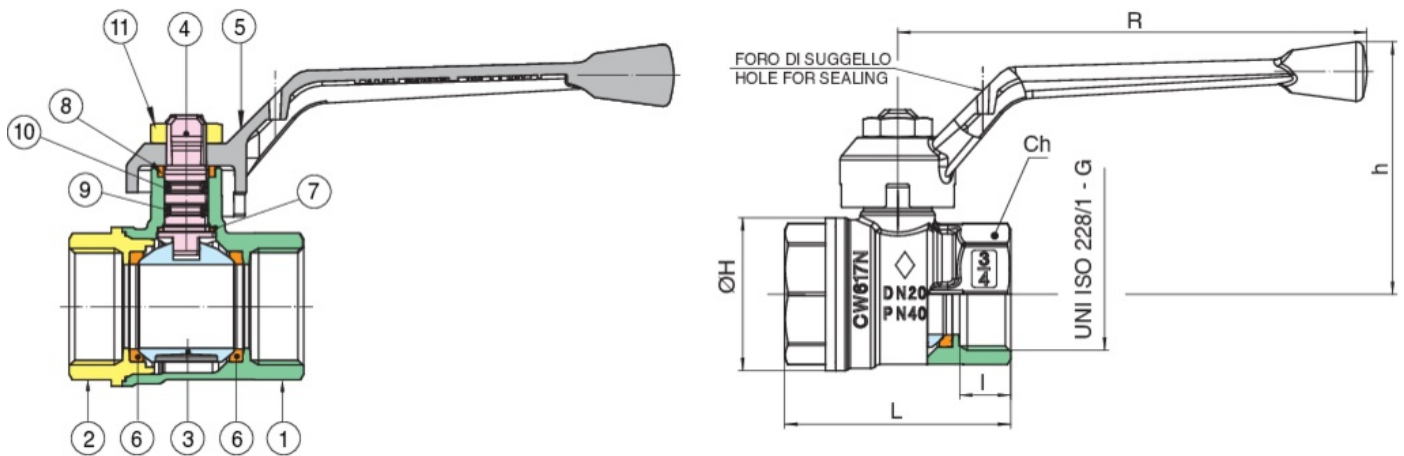


Full bore ball valve, UNI ISO 228/1 F/F threaded, with aluminium handle.

Technical specifications



POSITION	PART NAME	MATERIAL	N.° PIECES
1	BODY	BRASS CW617N UNI EN 12420	1
2	END CONNECTION	BRASS CW617N UNI EN 12420	1
3	BALL	BRASS CW617N UNI EN 12420	1
4	STEM	BRASS CW614N UNI EN 12164	1
5	HANDLE	ALUMINIUM EN-AC 46100	1
6	BALL SEAT	PTFE	2
7	ANTIFRICTION SEAT	PTFE	1
8	PACKING GLAND	PTFE	1
9	O-RING	NBR	1
10	O-RING	FKM	1
11	NUT	STEEL CL 04	1

SIZE	DN	BOX	MASTER BOX	CODE	I	L	ØH	CH	R	H	KV	PN	KG
1/4"	8	20	80	1700020000	11	51,5	23	20	95	46,5	5,4	64	0,14
3/8"	10	20	80	1700030000	11,4	51,5	23	20	95	46,5	6	64	0,12
1/2"	15	20	80	1500040000	12	47,5	30	25	95	47,5	15,7	50	0,14
3/4"	20	10	40	1500050000	12	53	36	31	110	59,5	28	40	0,24
1"	25	10	20	1500060000	14,5	65,5	43,5	38	110	62	41,5	40	0,37
1"1/4	32	6	12	1500070000	16	76,5	53	48	160	75,5	84,6	40	0,62
1"1/2	40	4	8	1500080000	18	89	65	54	160	81,5	218,5	40	0,91
2"	50	2	4	1500100000	19	103	80	67	170	99,5	251,5	40	1,55
2"1/2	65	2	4	1500120000	24	129,5	104	83	205	123,5	513	16	2,64
3"	80	-	4	1500140000	27	151	126	98	205	133,5	829,4	16	4,25
4"	100	-	2	1500180000	32	185	154,5	125	205	147,5	1320,5	16	7,18

Temperature range: -20°C +160°C.

*Art. [1700](#)

Applications



DRINKING
WATER



HEATING



HVAC



COMPRESSED
AIR



INDUSTRIAL



MARINE