

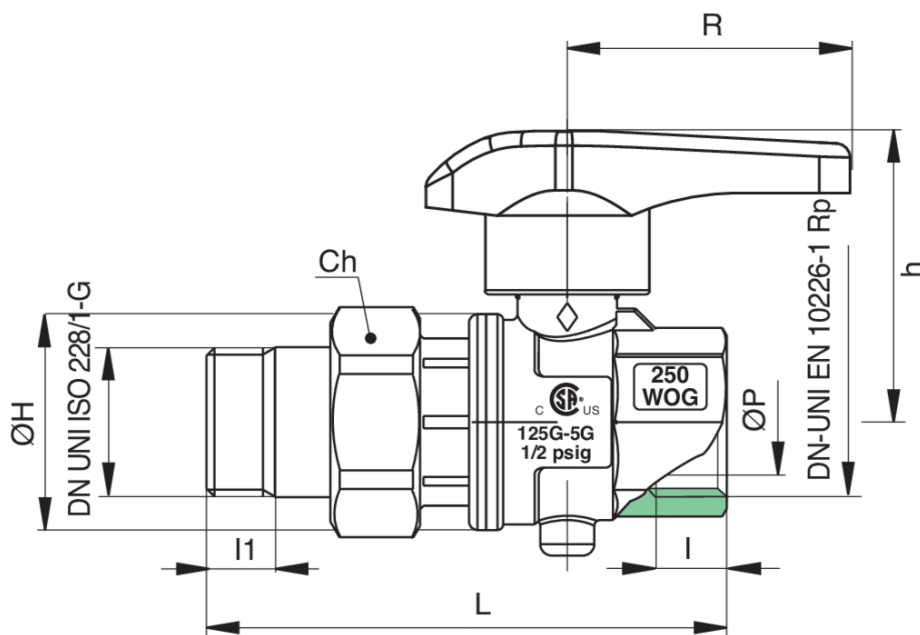
600500

PATENTED



Brass butterfly valve full bore, female threaded and fitting for manifold with throttling.

Technical specifications



SIZE	DN	BOX	MASTER BOX	CODE	ØP	I	I1	CH	ØH	L	H	R	KV	PN	KG
1/2"	15	15	60	60050004	16	15	10	25	31	80,5	48	50	8,5	16	0,26
3/4"	20	10	40	60050005	21	16,3	12	31	38	91	51,5	50	17	16	0,38
1"	25	10	20	60050006	27	19,1	14	38	46	103,5	55	50	27	16	0,60

Temperature range: -10°C +130°C.

Applications



DRINKING WATER



HEATING



HVAC



COMPRESSED AIR



INDUSTRIAL



MARINE