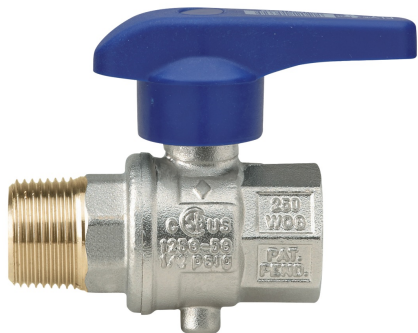


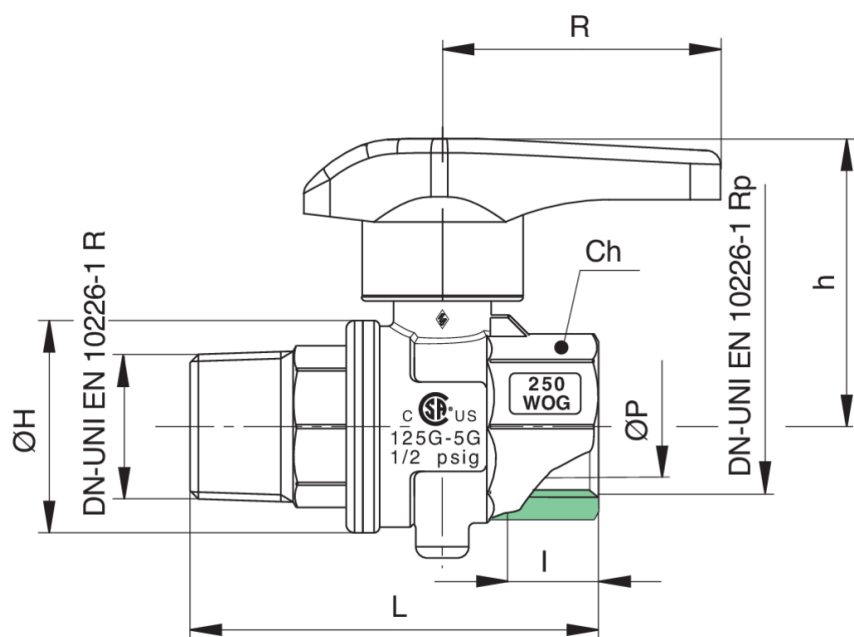
600301

PATENTED



Brass butterfly valve full bore, M/F threaded with throttling.

## Technical specifications



SIZE	DN	BOX	MASTER BOX	CODE	ØP	I	CH	ØH	L	H	R	KV	PN	KG
1/2"	15	20	80	60030104	16	15	25	31	63,5	48	50	8,5	16	0,20
3/4"	20	10	40	60030105	21	16,3	31	38	73,2	51,5	50	17	16	0,28
1"	25	10	20	60030106	27	19,1	38	46	82,5	55	50	27	16	0,41

Temperature range: -10°C +130°C.

# Applications



DRINKING WATER



HEATING



HVAC



COMPRESSED AIR



INDUSTRIAL



MARINE