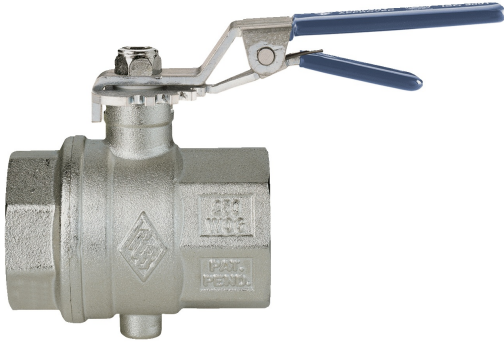


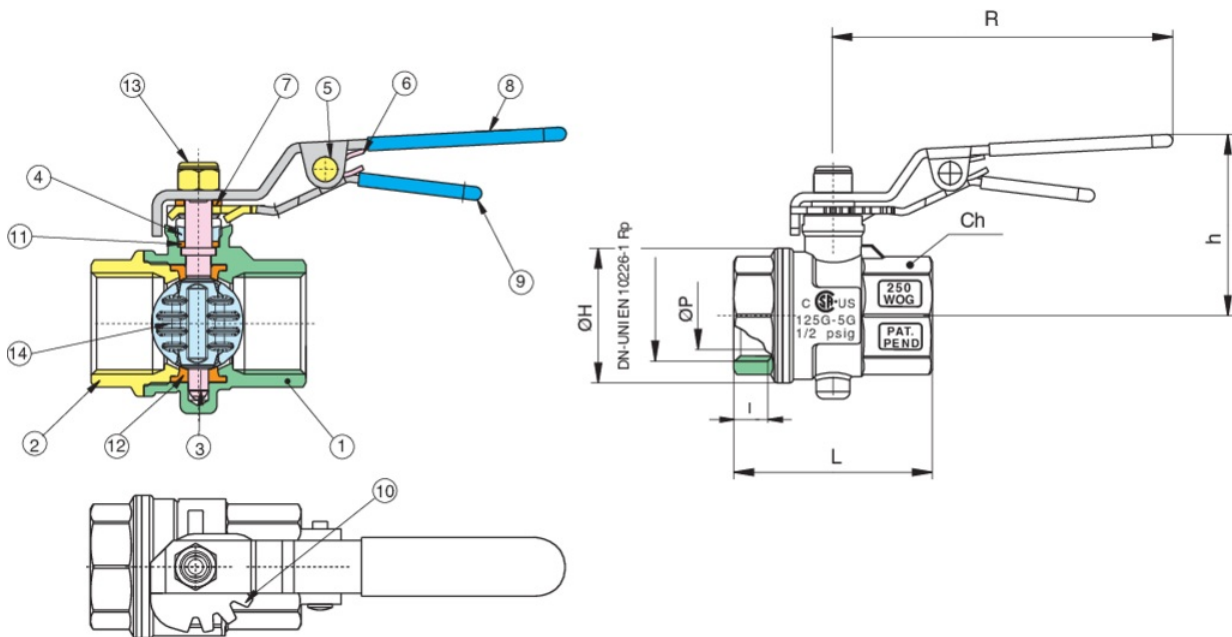
600000

PATENTED



Brass butterfly valve full bore, F/F threaded with throttling.

Technical specifications



POSITION	PART NAME	MATERIAL	N.° PIECES
1	BODY	BRASS CW617N UNI EN 12165	1
2	END CONNECTION	BRASS CW617N UNI EN 12165	1
3	STEM	BRASS CW614N UNI EN 12164	1
4	WASHER	BRASS CW614N UNI EN 12164	1
5	LOCK PIN	STEEL	1
6	SPRING	HARMONIC STEEL	1
7	ANTIFRICTION SEAT	PTFE CARICATO GRAFITE	1
8	HANDLE	STEEL DD11 UNI EN 10111	1
9	HANDLE	STEEL UNI EN 10111	1
10	HALF TURN STOP	STEEL UNI EN 10111	1
11	STEM SEAL	PTFE	1
12	SEAT	EPDM	1
13	NUT	STEEL CL 04	1
14	DISC	PEI (ULTEM 1000)	1

SIZE	DN	BOX	MASTER BOX	CODE	ØP	I	CH	ØH	L	H	R	KV	PN	KG
1/2"	15	20	80	60000004	16	15	25	31	48,5	46,5	95	8,5	16	0,19
3/4"	20	10	40	60000005	21	16,3	31	38	56	50,5	95	17	16	0,25
1"	25	10	20	60000006	27	19,1	38	46	64	54	95	27	16	0,36
1"1/4	32	6	12	60000007	34	21,4	48	55,5	76	71,5	120	50	16	0,67
1"1/2	40	4	8	60000008	41	21,4	54	65,5	82	76,5	120	82,5	16	0,88
2"	50	2	4	60000010	52	25,7	67	77,5	93	86,5	150	136,5	16	1,31
2"1/2	65	2	4	60000012	65	30,2	90	102	112	121	205	240	16	3,06
3"	80	-	4	60000014	80	33,3	105	122	129,5	131,5	205	340	16	4,67
4"	100	-	2	60000018	103	39,3	130	145	146	145	205	550	16	6,29

Temperature range: -10°C +130°C.

Applications



DRINKING
WATER



HEATING



HVAC



COMPRESSED
AIR



INDUSTRIAL



MARINE