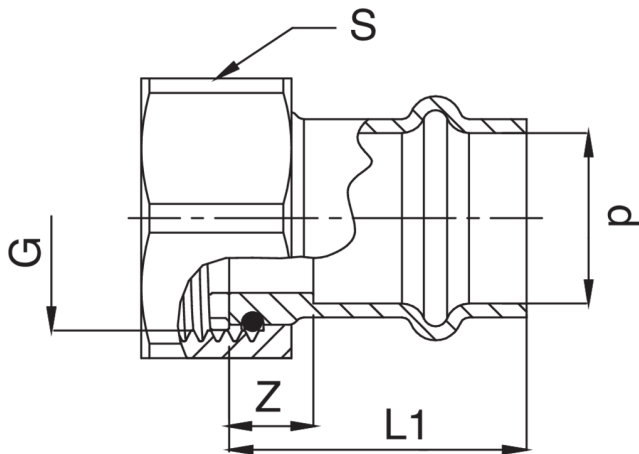


F/female thread valve connector with a swivel nut in brass.

Technical specifications



D X G	BAG	MASTER BOX	CODE	L1	S	Z
15 x 1/2"	10	50	GXF359A12015000	44	24	22
15 x 3/4"	5	25	GXF359A34015000	29	30	7
18 x 3/4"	5	25	GXF359A34018000	32	30	9
22 x 1"	5	100	GXF359B01022000	38	37	14
28 x 1 1/4"	5	50	GXF359B14028000	34	46	9
42 x 2"	5	20	GXF359C02042000	48	64	12
54 x 2 1/2"	1	10	GXF359C12054000	45	85	5

Applications



GAS



COMPRESSED
AIR



INDUSTRIAL