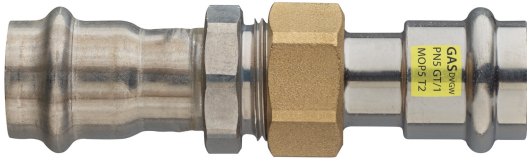
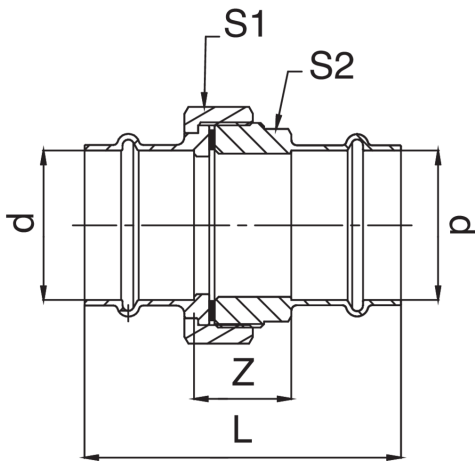


F/F flat seat joint.



Technical specifications



D	BAG	MASTER BOX	CODE	L	S1	S2	Z
15	10	100	GX0340015015000	90	24	25	46
18	10	100	GX0340018018000	100	30	30	54
22	5	40	GX0340022022000	103	37	34	55
28	5	40	GX0340028028000	96	46	45	46
35	5	30	GX0340035035000	125	52	50	73
42	5	15	GX0340042042000	132	64	60	60
54	5	15	GX0340054054000	148	85	75	68

Applications



GAS



COMPRESSED
AIR



INDUSTRIAL