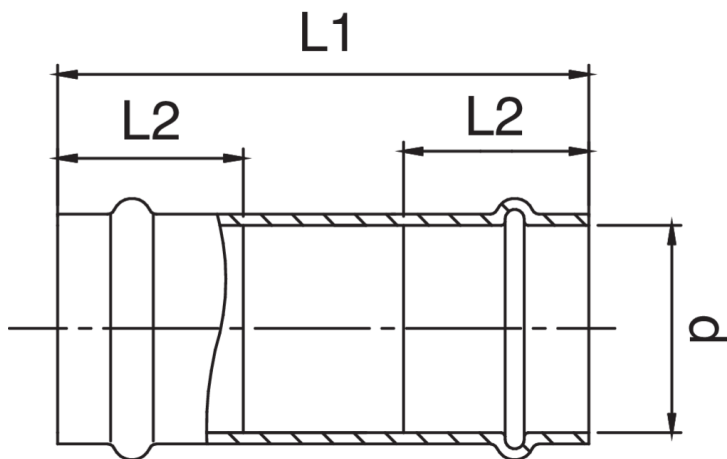


F/F slip coupling.



Technical specifications



| D | BAG | MASTER BOX | CODE | L1 | L2 |
|----|-----|------------|-----------------|-----|----|
| 15 | 10 | 50 | GX0271015015000 | 85 | 22 |
| 18 | 10 | 40 | GX0271018018000 | 91 | 23 |
| 22 | 5 | 30 | GX0271022022000 | 100 | 24 |
| 28 | 5 | 30 | GX0271028028000 | 113 | 25 |
| 35 | 5 | 30 | GX0271035035000 | 131 | 26 |
| 42 | 1 | 10 | GX0271042042000 | 176 | 36 |
| 54 | 1 | 15 | GX0271054054000 | 162 | 40 |

Applications



GAS



COMPRESSED
AIR



INDUSTRIAL