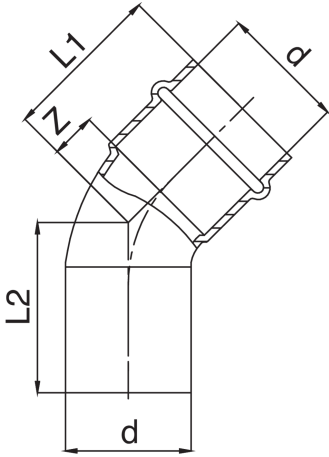




M/F 45° elbow.

## Technical specifications



| D  | BAG | MASTER BOX | CODE            | L1 | L2 | Z  |
|----|-----|------------|-----------------|----|----|----|
| 15 | 10  | 40         | GX0040015015000 | 29 | 30 | 7  |
| 18 | 10  | 100        | GX0040018018000 | 31 | 32 | 8  |
| 22 | 10  | 60         | GX0040022022000 | 34 | 35 | 10 |
| 28 | 5   | 40         | GX0040028028000 | 38 | 39 | 13 |
| 35 | 5   | 30         | GX0040035035000 | 43 | 44 | 17 |
| 42 | 1   | 20         | GX0040042042000 | 53 | 54 | 17 |
| 54 | 1   | 5          | GX0040054054000 | 69 | 70 | 29 |

## Applications



GAS



COMPRESSED  
AIR



INDUSTRIAL