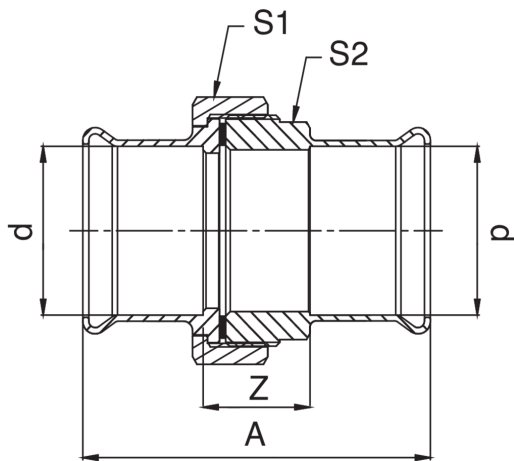


F/F flat seat joint.



Technical specifications



| D | BAG | MASTER BOX | CODE | A | S1 | S2 | Z |
|----|-----|------------|-----------------|-----|----|----|----|
| 15 | 5 | 100 | MX0340015015000 | 85 | 24 | 25 | 46 |
| 18 | 5 | 100 | MX0340018018000 | 95 | 30 | 30 | 56 |
| 22 | 5 | 40 | MX0340022022000 | 97 | 37 | 34 | 52 |
| 28 | 5 | 30 | MX0340028028000 | 91 | 46 | 45 | 46 |
| 35 | 1 | 20 | MX0340035035000 | 120 | 52 | 50 | 69 |
| 42 | 1 | 10 | MX0340042042000 | 134 | 64 | 60 | 75 |
| 54 | 1 | 8 | MX0340054054000 | 144 | 85 | 75 | 75 |

Applications



DRINKING
WATER



HEATING



HVAC



COMPRESSED
AIR



FIREFIGHTING



MARINE



STEAM



SOLAR



INDUSTRIAL