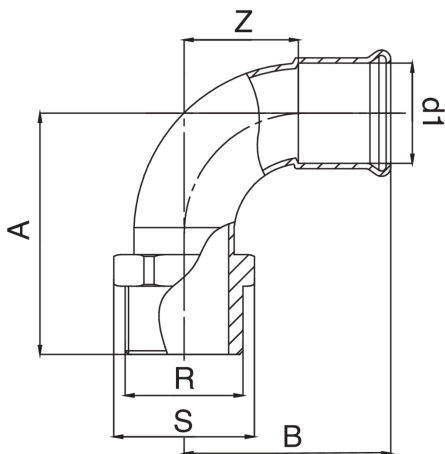




F/male thread 90° elbow.



Technical specifications



D1 X R	BAG	MASTER BOX	CODE	A	B	S	Z
15 x 1/2"	5	30	MXF92LA12015000	42	45	25	23,5
18 x 1/2"	5	30	MXF92LA12018000	45	49	24	26,5
22 x 3/4"	5	20	MXF92LA34022000	51	54	30	30,5
28 x 1"	5	15	MXF92LB01028000	61	63	38	38,5
35 x 1 1/4"	1	10	MXF92LB14035000	69	74	45	48,5
42 x 1 1/2"	1	10	MXF92LB12042000	89	89	50	53,5
54 x 2"	1	5	MXF92LC02054000	144	108	70	68,5

Applications



DRINKING
WATER



HEATING



HVAC



COMPRESSED
AIR



FIREFIGHTING



MARINE



STEAM



SOLAR



INDUSTRIAL