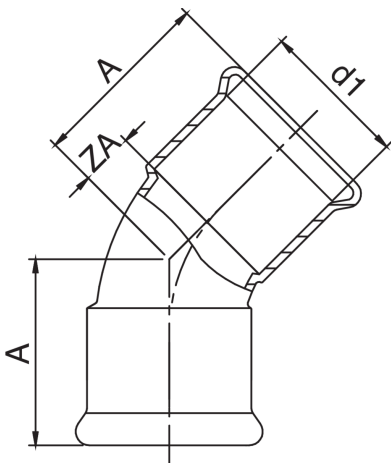




F/F 45° elbow.



## Technical specifications



D1	BAG	MASTER BOX	CODE	A	ZA
15	10	100	MX0041015015000	29	9,5
18	5	30	MX0041018018000	31	11,5
22	5	50	MX0041022022000	34	11,5
28	5	40	MX0041028028000	38	15,5
35	5	40	MX0041035035000	43	17,5
42	1	20	MX0041042042000	53	23,5
54	1	5	MX0041054054000	69	34,5

## Applications

