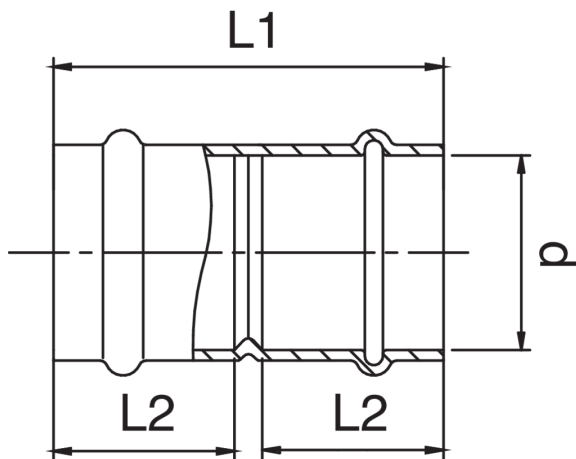


Copper F/F coupling.



Technical specifications



D	BAG	MASTER BOX	CODE	L1	L2
12	10	300	RK9270012012000	40	18
15	10	200	RK9270015015000	49	22
18	10	150	RK9270018018000	52	23
22	10	100	RK9270022022000	53	24

Applications

