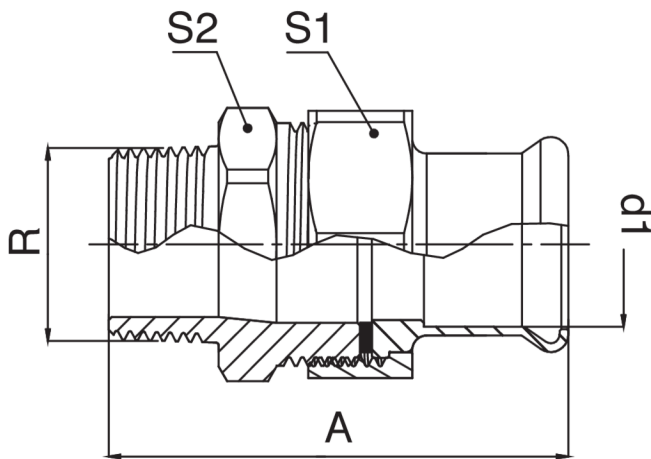


Bronze F/male thread flat seat joint.

Technical specifications



| D1 X R | BAG | MASTER BOX | CODE | A | S1 | S2 |
|------------|-----|------------|-----------------|-----|----|----|
| 12 x 1/2" | 5 | 50 | QM8341A12012000 | 65 | 24 | 25 |
| 15 x 1/2" | 5 | 50 | QM8341A12015000 | 70 | 24 | 27 |
| 15 x 3/4" | 5 | 50 | QM8341A34015000 | 65 | 30 | 30 |
| 18 x 1/2" | 5 | 50 | QM8341A12018000 | 70 | 30 | 30 |
| 18 x 3/4" | 5 | 50 | QM8341A34018000 | 75 | 30 | 30 |
| 22 x 3/4" | 5 | 50 | QM8341A34022000 | 82 | 30 | 30 |
| 22 x 1" | 5 | 30 | QM8341B01022000 | 77 | 37 | 34 |
| 28 x 1" | 5 | 30 | QM8341B01028000 | 77 | 46 | 45 |
| 35 x 1 1/4 | 1 | 20 | QM8341B14035000 | 85 | 52 | 50 |
| 42 x 1 1/2 | 1 | 10 | QM8341B12042000 | 95 | 64 | 60 |
| 54 x 2" | 1 | 8 | QM8341C02054000 | 100 | 85 | 75 |

Applications



COMPRESSED
AIR



GAS



INDUSTRIAL