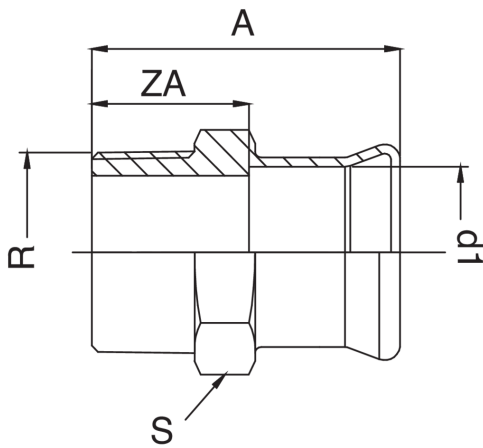


Bronze F/male thread adapter.

Technical specifications



D1 X R	BAG	MASTER BOX	CODE	A	S	ZA
12 x 3/8"	10	250	QM8243A38012000	32,5	18	14,5
12 x 1/2"	10	200	QM8243A12012000	35	19	17
15 x 3/8"	10	200	QM8243A38015000	34	19	14
15 x 1/2"	10	150	QM8243A12015000	35,5	21	15,5
15 x 3/4"	10	150	QM8243A34015000	37	24	17
18 x 1/2"	10	150	QM8243A12018000	36	24	16
18 x 3/4"	10	100	QM8243A34018000	39	24	19
22 x 1/2"	10	100	QM8243A12022000	39,5	27	16,5
22 x 3/4"	10	100	QM8243A34022000	41	27	18
22 x 1"	5	70	QM8243B01022000	43	27	20
28 x 3/4"	5	50	QM8243A34028000	42	32	19
28 x 1"	5	50	QM8243B01028000	43,5	34	20,5
28 x 1"1/4	5	50	QM8243B14028000	49	34	26
35 x 1"	5	30	QM8243B01035000	49	40	23
35 x 1"1/4	5	40	QM8243B14035000	52	42	26
35 x 1"1/2	5	25	QM8243B12035000	53	46	27
42 x 1"1/4	5	20	QM8243B14042000	58	48	28
42 x 1"1/2	5	25	QM8243B12042000	58	48	28
54 x 1"1/2	1	15	QM8243B12054000	59	60	24
54 x 2"	1	10	QM8243C02054000	65,5	58	30,5

Applications



