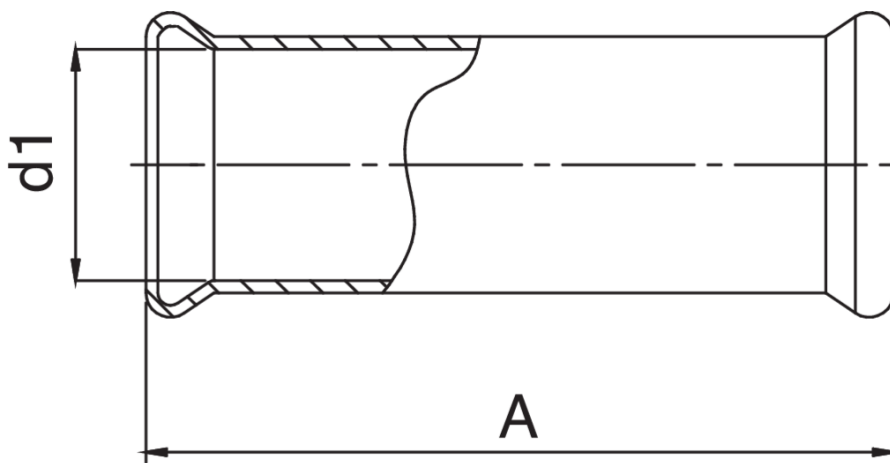


Copper F/F slip coupling.

## Technical specifications



D1	BAG	MASTER BOX	CODE	A
12	10	150	QM9271012012000	58
15	10	150	QM9271015015000	80
18	10	100	QM9271018018000	80
22	5	60	QM9271022022000	80
28	5	40	QM9271028028000	84
35	5	30	QM9271035035000	100
42	5	15	QM9271042042000	116
54	1	10	QM9271054054000	138

## Applications



COMPRESSED  
AIR



GAS



INDUSTRIAL