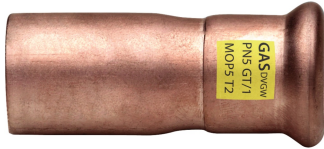
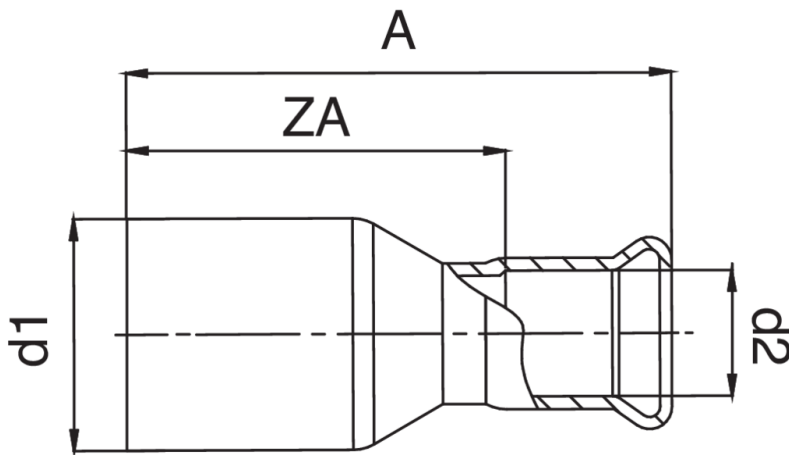


Copper M/F reducer.



Technical specifications



| D1 X D2 | BAG | MASTER BOX | CODE | A | ZA |
|---------|-----|------------|-----------------|----|----|
| 15 x 12 | 10 | 300 | QM9243015012000 | 45 | 24 |
| 18 x 12 | 10 | 300 | QM9243018012000 | 46 | 24 |
| 18 x 15 | 10 | 100 | QM9243018015000 | 51 | 24 |
| 22 x 15 | 10 | 150 | QM9243022015000 | 50 | 25 |
| 22 x 18 | 10 | 150 | QM9243022018000 | 50 | 25 |
| 28 x 15 | 10 | 100 | QM9243028015000 | 55 | 28 |
| 28 x 18 | 10 | 100 | QM9243028018000 | 54 | 28 |
| 28 x 22 | 10 | 100 | QM9243028022000 | 53 | 28 |
| 35 x 22 | 10 | 60 | QM9243035022000 | 60 | 31 |
| 35 x 28 | 10 | 50 | QM9243035028000 | 60 | 31 |
| 42 x 22 | 5 | 50 | QM9243042022000 | 67 | 35 |
| 42 x 28 | 5 | 40 | QM9243042028000 | 67 | 35 |
| 42 x 35 | 5 | 40 | QM9243042035000 | 66 | 35 |
| 54 x 35 | 5 | 20 | QM9243054035000 | 79 | 40 |
| 54 x 42 | 5 | 20 | QM9243054042000 | 77 | 40 |

Applications



COMPRESSED
AIR



GAS



INDUSTRIAL