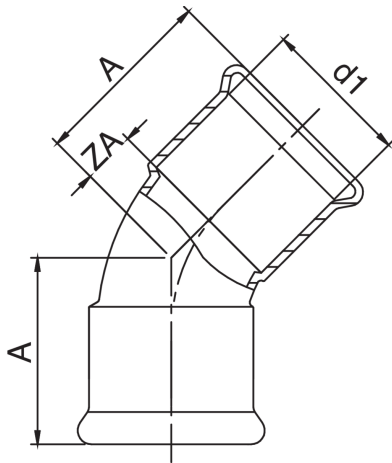




Copper F/F 45° elbow.

## Technical specifications



D1	BAG	MASTER BOX	CODE	A	ZA
12	10	250	QM9041012012000	23	5
15	10	200	QM9041015015000	28	8
18	10	150	QM9041018018000	29	9
22	10	80	QM9041022022000	34	11
28	5	60	QM9041028028000	37	14
35	5	40	QM9041035035000	44	18
42	5	20	QM9041042042000	51	21
54	1	10	QM9041054054000	62	27

## Applications



COMPRESSED  
AIR



GAS



INDUSTRIAL