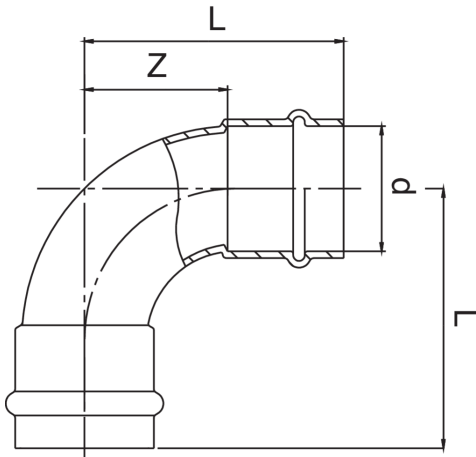


Copper F/F 90° elbow.

Technical specifications



D	BAG	MASTER BOX	CODE	L	Z
12	10	250	PG9002012012000	33	15
15	10	150	PG9002015015000	40	18
18	10	100	PG9002018018000	45	22
22	10	60	PG9002022022000	47	23
28	5	40	PG9002028028000	59	34
35	5	20	PG9002035035000	68	42
42	1	10	PG9002042042000	87	51
54	1	7	PG9002054054000	105	65

Applications



GAS



INDUSTRIAL



COMPRESSED
AIR