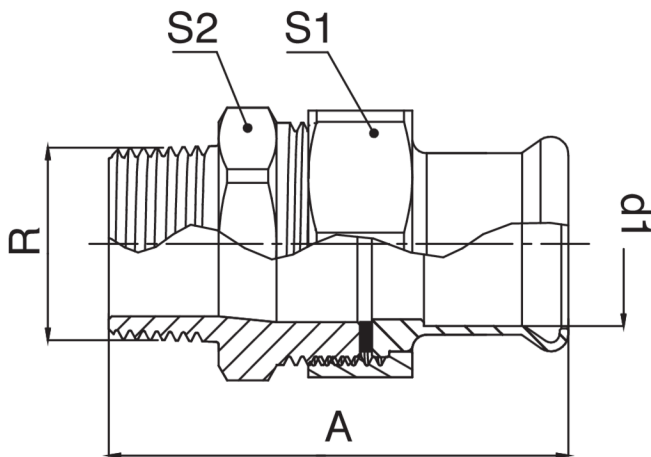


Bronze F/male thread flat seat joint.



## Technical specifications



D1 X R	BAG	MASTER BOX	CODE	A	S1	S2
12 x 3/8"	10	150	ZM8341A38012000	65	24	25
12 x 1/2"	5	80	ZM8341A12012000	65	24	25
15 x 1/2"	5	60	ZM8341A12015000	70	24	27
15 x 3/4"	5	50	ZM8341A34015000	65	30	30
18 x 1/2"	5	50	ZM8341A12018000	70	30	30
18 x 3/4"	5	50	ZM8341A34018000	75	30	30
22 x 1/2"	5	30	ZM8341A12022000	78	30	30
22 x 3/4"	5	50	ZM8341A34022000	82	30	30
22 x 1"	5	40	ZM8341B01022000	77	37	34
28 x 3/4"	5	50	ZM8341A34028000	86	37	34
28 x 1"	5	20	ZM8341B01028000	77	46	45
35 x 1"1/4	1	20	ZM8341B14035000	85	52	50
42 x 1"1/2	1	10	ZM8341B12042000	95	64	60
54 x 2"	1	8	ZM8341C02054000	100	85	75

## Applications



DRINKING  
WATER



HEATING



HVAC



COMPRESSED  
AIR



FIREFIGHTING