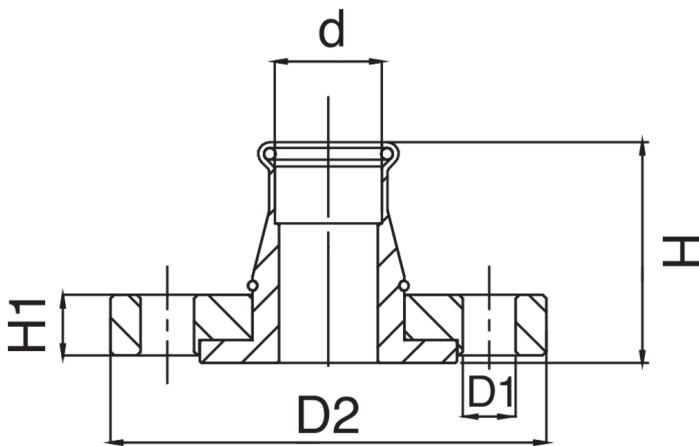




Bronze flanged joint.



Technical specifications



D	BAG	MASTER BOX	CODE	D1	D2	H	H1
28	1	10	ZM8273028000000	14	115	59	16
35	1	10	ZM8273035000000	18	140	63	18
42	1	5	ZM8273042000000	18	150	74	18
54	1	3	ZM8273054000000	18	165	80	20

Applications



DRINKING
WATER



HEATING



HVAC



COMPRESSED
AIR



FIREFIGHTING