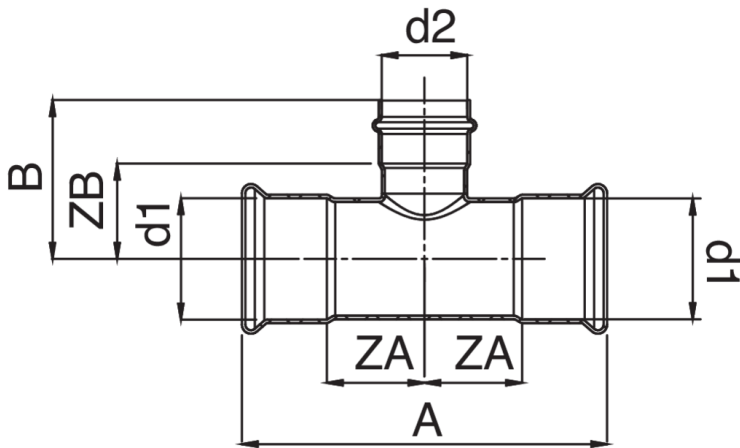


Copper F/F/F reducing tee.

Technical specifications



D1 X D2 X D1	BAG	MASTER BOX	CODE	A	B	ZA	ZB
76.1 x 54* x 76.1	1	5	RR9131076054076	242	93	76	68
88.9 x 54* x 88.9	1	5	RR9131089054089	272	127	92	81
108 x 54* x 108	1	2	RR9131108054108	324	133	92	72

* d2 V profile

Applications

