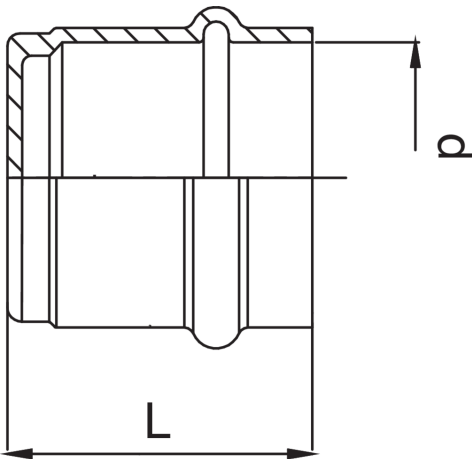




Copper F plug.



## Technical specifications



D	BAG	MASTER BOX	CODE	L
12	10	500	RZ9301012000000	21
14	10	400	RZ9301014000000	25
15	10	400	RZ9301015000000	25
16	10	200	RZ9301016000000	25
18	10	300	RZ9301018000000	26
22	10	200	RZ9301022000000	27
28	10	100	RZ9301028000000	28
35	5	70	RZ9301035000000	30
42	5	40	RZ9301042000000	40
54	5	30	RZ9301054000000	45

The big-size, item RR9301, is available.

## Applications

