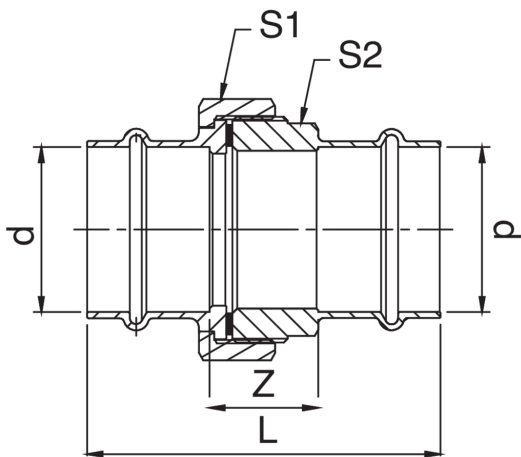


Bronze F/F flat seat joint.



## Technical specifications



| D  | BAG | MASTER BOX | CODE            | L   | S1 | S2 | Z  |
|----|-----|------------|-----------------|-----|----|----|----|
| 12 | 10  | 50         | RS8340012012000 | 65  | 24 | 25 | 29 |
| 15 | 10  | 100        | RS8340015015000 | 73  | 24 | 25 | 29 |
| 18 | 10  | 100        | RS8340018018000 | 78  | 30 | 31 | 32 |
| 22 | 5   | 40         | RS8340022022000 | 86  | 37 | 34 | 38 |
| 28 | 5   | 30         | RS8340028028000 | 86  | 46 | 42 | 36 |
| 35 | 5   | 20         | RS8340035035000 | 93  | 52 | 50 | 41 |
| 42 | 1   | 10         | RS8340042042000 | 118 | 64 | 60 | 46 |
| 54 | 1   | 8          | RS8340054054000 | 115 | 85 | 75 | 35 |

## Applications



DRINKING  
WATER



HEATING



HVAC



GAS



COMPRESSED  
AIR



FIREFIGHTING