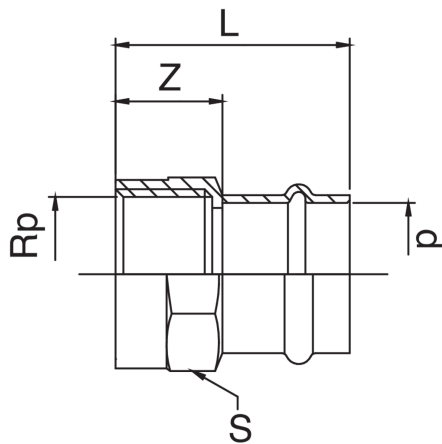


Technical specifications



D X RP	BAG	MASTER BOX	CODE	L	S	Z
12 x 3/8"	10	250	RS8270A38012000	35	25	5
12 x 1/2"	10	200	RS8270A12012000	36	25	3
15 x 3/8"	10	200	RS8270A38015000	36	25	2
15 x 1/2"	10	200	RS8270A12015000	40	25	3
15 x 3/4"	10	150	RS8270A34015000	41	32	2
18 x 1/2"	10	150	RS8270A12018000	41	27	3
18 x 3/4"	10	100	RS8270A34018000	44	31	4
22 x 1/2"	10	100	RS8270A12022000	41	32	2
22 x 3/4"	10	100	RS8270A34022000	46	32	5
22 x 1"	5	80	RS8270B01022000	47	38	4
28 x 1/2"	10	100	RS8270A12028000	41	32	2
28 x 3/4"	5	60	RS8270A34028000	48	38	8
28 x 1"	5	50	RS8270B01028000	48	38	4
28 x 1 1/4"	5	30	RS8270B14028000	50	46	3
35 x 3/4"	5	50	RS8270A34035000	50	42	7
35 x 1"	5	40	RS8270B01035000	47	46	2
35 x 1 1/4"	5	40	RS8270B14035000	52	48	4
42 x 1 1/4"	5	25	RS8270B14042000	64	56	6
42 x 1 1/2"	5	25	RS8270B12042000	65	56	7
54 x 2"	1	15	RS8270C02054000	80	68	16

Applications



DRINKING WATER



HEATING



HVAC



GAS



COMPRESSED AIR



FIREFIGHTING