

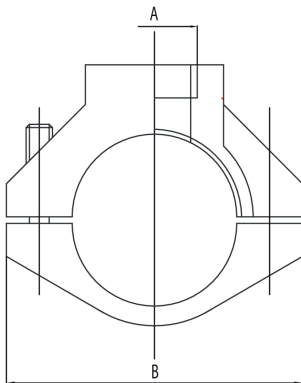
## 5T3100

Cast iron female tapping saddle for PE-PVC pipe.



**NEW**

### Technical specifications



Ø TUBI DE - Ø PIPE DE	BOX	CODE	A	B	L	KG
110	1	5T310011006110	1"	189	115	3,5
110	1	5T310011007110	1"1/4	189	115	3,5
110	1	5T310011008110	1"1/2	186	115	3,5
110	1	5T310011010110	2"	189	115	3,5
125	1	5T310012506125	1"	204	115	3,8
125	1	5T310012507125	1"1/4	204	115	3,8
125	1	5T310012508125	1"1/2	204	115	3,8
125	1	5T310012510125	2"	204	115	3,8
140	1	5T310014006140	1"	219	140	4,7
140	1	5T310014007140	1"1/4	219	140	4,7
140	1	5T310014008140	1"1/2	219	140	4,7
140	1	5T310014010140	2"	219	140	4,7
160	1	5T310016006160	1"	239	140	5,2
160	1	5T310016007160	1"1/4	239	140	5,2
160	1	5T310016008160	1"1/2	239	140	5,2
160	1	5T310016010160	2"	239	140	5,2
180	1	5T310018006180	1"	259	180	7,7
180	1	5T310018010180	2"	259	180	7,7
200	1	5T310020006200	1"	279	180	8,00
200	1	5T310020007200	1"1/4	279	180	8,00
200	1	5T310020008200	1"1/2	279	180	8,00
200	1	5T310020010200	2"	279	180	8,00
225	1	5T310022507225	2"	304	180	9,00
250	1	5T310025007250	1"1/4	329	180	9,8
250	1	5T310025010250	2"	329	180	9,8
280	1	5T310028010280	2"	359	180	10,6
315	1	5T310031510315	2"	394	180	13,00
50	1	5T3100500550	3/4"	114	90	1,4
50	1	5T3100500650	1"	114	90	1,4
50	1	5T3100500750	1"1/4	114	90	1,4
63	1	5T3100630663	1"	129	90	1,7
63	1	5T3100630763	1"1/4	129	90	1,7
63	1	5T3100630863	1"1/2	129	90	1,7
63	1	5T3100631063	2"	129	90	1,7
75	1	5T3100750675	1"	141	115	2,3
75	1	5T3100750775	1"1/4	141	115	2,3
75	1	5T3100750875	1"1/2	141	115	2,3
75	1	5T3100751075	2"	141	115	2,3
90	1	5T3100900690	1"	161	115	2,8
90	1	5T3100900790	1"1/4	161	115	2,8
90	1	5T3100900890	1"1/2	161	115	2,8
90	1	5T3100901090	2"	161	115	2,8

## Applications

